



LYS-WHT-38851S220UF5MN

SPECIFICATION DATA SHEET

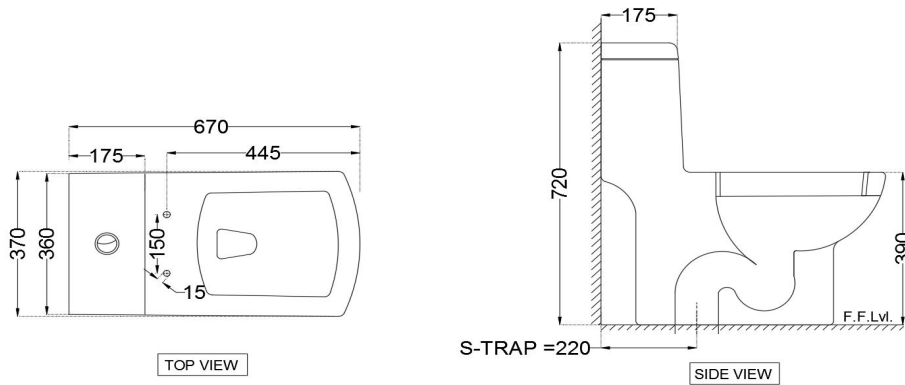
PRODUCT DETAILS




Manufacturer	Jaquar	Type	Single piece-WC (S trap)
Colour	White	Flush valves	Dual Flush
Outlet	Vertical	Material	Ceramic - Vitreous China
Technical Details	External diameter of outlet $\varnothing 80 +5/-2$ mm Horizontal distance between the wall line and the centre line of the waste outlet hole ≤ 220 mm		

PRODUCT IMAGE



TECHNICAL DRAWING



Product Dimension	370x670x720 mm	FEATURES
Trap Distance	S Trap - 220 mm	Box rim , Elegant design, Dual Flush,Dual Flush-3/6 LPF,Anti germ glaze.
Product Weight	42.5 Kg	
ACCESSORIES INCLUDED		
UF soft close slim seat cover		LYS-WHT-38103UF
Floor fixing screw		ZPS-SNS-FB01
Wax Seal		ZPS-WHT-1401
CERTIFICATION		
Compliance : EN 997 :2012+A1 : 2015 (E), MS 1522:2015, MS 795 - 1 : 2019 & MS 147 : 2001, SANS 497 : 2011		
All technical dimensions are in accordance to British standards, Bureau of Indian Standards		
  		
DISCLAIMER: Our every effort has been made to ensure factual accuracy, the information presented subject to changes due to requirements in different sites, markets and/ or countries. All dimensions are in mm (Tolerance ± 5 MM). Jaquar reserves the right to make the necessary amendments at any time without prior notice.		