



SLS-WHT-6751S220PPZ

SPECIFICATION DATA SHEET

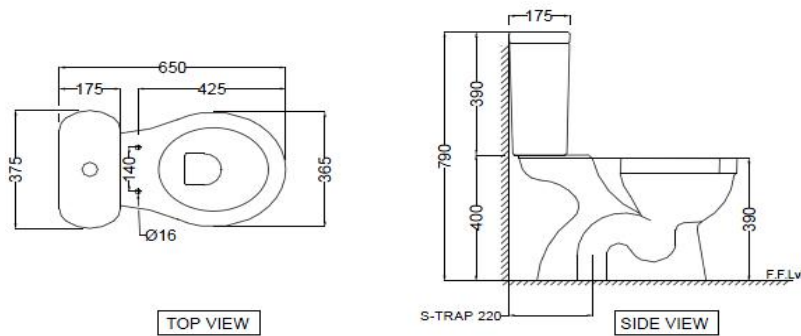
PRODUCT DETAILS

Manufacturer	Jaquar	Type	Complete Set For Coupled WC (S-Trap)
Colour	White	Outlet	Vertical
Technical Details	External diameter of outlet hole dia. \varnothing 100 \pm 5 mm	Material	Ceramic - Vitreous China
	Horizontal distance between the wall line and the centre line of the waste outlet hole \leq 220 mm		

PRODUCT IMAGE



TECHNICAL DRAWING



Product Dimension	375X650X790 mm	FEATURES Box Rim with Dual Flushing, Dual Flush-3/6 LPF, Anti germ glaze.
Trap Distance	S Trap - 220 mm	
Product Weight	29.7 Kg	

ACCESSORIES INCLUDED

PP soft close seat cover	SLS-WHT-6105PP
Floor fixing screw	ZPS-SNS-FB01
Wax seal	ZPS-WHT-1401
Cistern	SLS-WHT-6201C
Cistern Fittings	ZCF-WHT-FT003

CERTIFICATION

Compliance : EN 997 :2012+A1 2015 (E), SANS 497 : 2011

All technical dimensions are in accordance to British standards, Bureau of Indian Standards



DISCLAIMER: Our every effort has been made to ensure factual accuracy, the information presented subject to changes due to requirements in different sites, markets and/or countries. All dimensions are in mm (Tolerance \pm 5 MM). Jaquar reserves the right to make the necessary amendments at any time without prior notice.