



CNS-WHT-757NS300SPPSZ

SPECIFICATION DATA SHEET

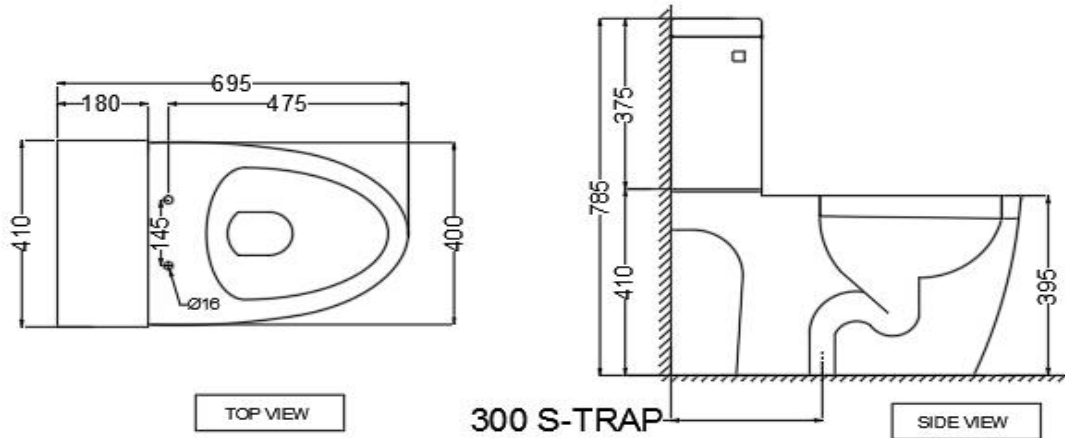
PRODUCT DETAILS

Manufacturer :	Jaquar	Type:	Coupled WC (S-Trap)
Colour:	White	Outlet	Vertical
Technical Details:	External diameter of outlet hole dia. $\varnothing 100 \pm 5$ mm	Material:	Ceramic - Vitreous China
	Horizontal distance between the wall line and the centre line of the waste outlet hole ≤ 300 mm		

PRODUCT IMAGE



TECHNICAL DRAWING



Product Dimension	410x695x785 mm	FEATURES Box rim with heavy duty seat cover, Single Flush-6 LPF, Anti germ glaze.
Trap Distance	S Trap - 300 mm	
Product Weight	28 Kg	

ACCESSORIES INCLUDED

PP Soft Close Seat cover	CNS-WHT-117S
Floor fixing screw	ZPS-SNS-FB01
Wax seal	ZPS-WHT-1401
Cistern	CNS-WHT-209SC
Cistern Fittings	ZCF-WHT-FT001N

CERTIFICATION

Compliance : EN 997 :2012+A1 2015 (E), SANS 497:2011

All technical dimensions are in accordance to British standards, Bureau of Indian Standards



DISCLAIMER: Our every effort has been made to ensure factual accuracy, the information presented subject to changes due to requirements in different sites, markets and/ or countries. All dimensions are in mm (Tolerance ± 5 MM). Jaquar reserves the right to make the necessary amendments at any time without prior notice.