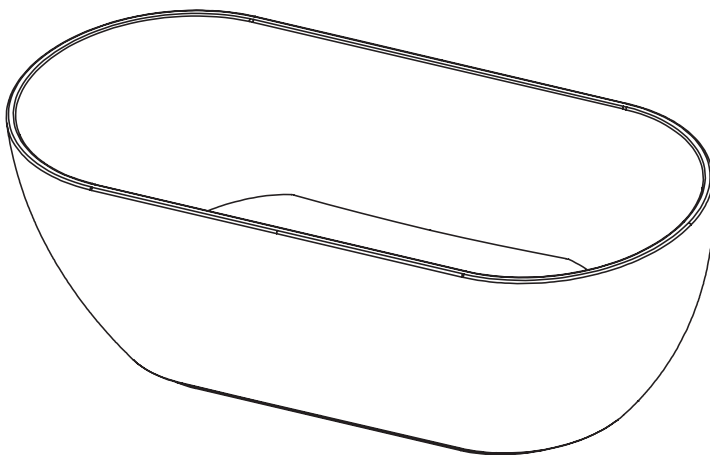




**Jaquar**

BATH+LIGHT

# Free Standing Bathtub Installation Manual





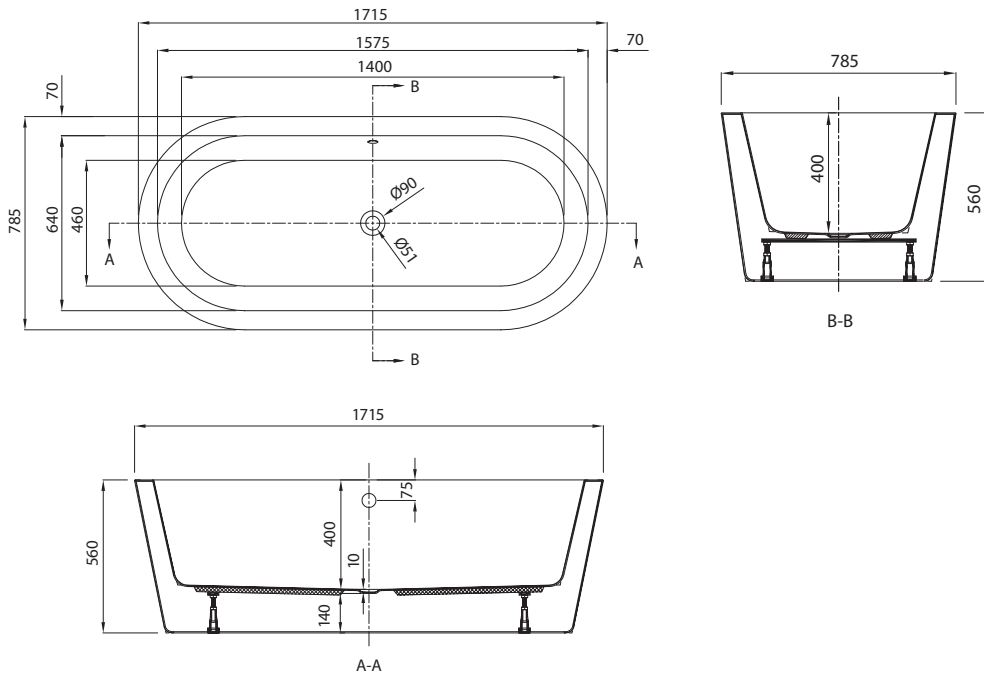
# INDEX

General Guidelines .....	03
Julia .....	04
Saipan .....	05
Alaska .....	06
Eggy .....	07
Queen's .....	08
Installation .....	09

## **General Guidelines:**

- » Please read these instructions carefully before installation and retain for future reference
- » Remove all packaging and check the product for missing parts and damages before starting the installation.
- » Any alterations made to this product and its fittings may infringe the water regulations and will invalidate the guarantee.
- » We strongly recommend the use of a qualified and registered plumber.
- » In new buildings, it is recommended to water fill the traps to ensure toxic gases do not corrode the surface of the taps, toilet seats, bathtub and other elements in the bathroom. It is recommended that the room is well ventilated.
- » Thoroughly flush through all pipe work prior to the installation of terminal appliances, e.g. Shower heads, taps, inlet valves etc.
- » Factory fitted components such as inlet and outlet valves should be checked for position and tightness, they may have loosened in transit.
- » Check the operation of the valves or filler.
- » Ensure periodic cleaning and maintenance to avoid the build up of damaging lime scale deposits.
- » Bathroom harsh cleaning agent residuals may damage components made of metal, glass and/or chromed parts such as, seat hinges, trim plates, push buttons, etc.
- » Clean the bathtub with liquid soap and water and soft, non-abrasive clothes or sponges. Never clean the bath with acrylic solvents (acetone, alcohol, etc.), Detergents, or abrasive cloths as these could damage its finish. To keep your bath looking shiny, use a standard household polish.
- » Use a soft cloth to clean any metal part and leave it shiny and scratch free. Do not clean the metal with corrosive products.

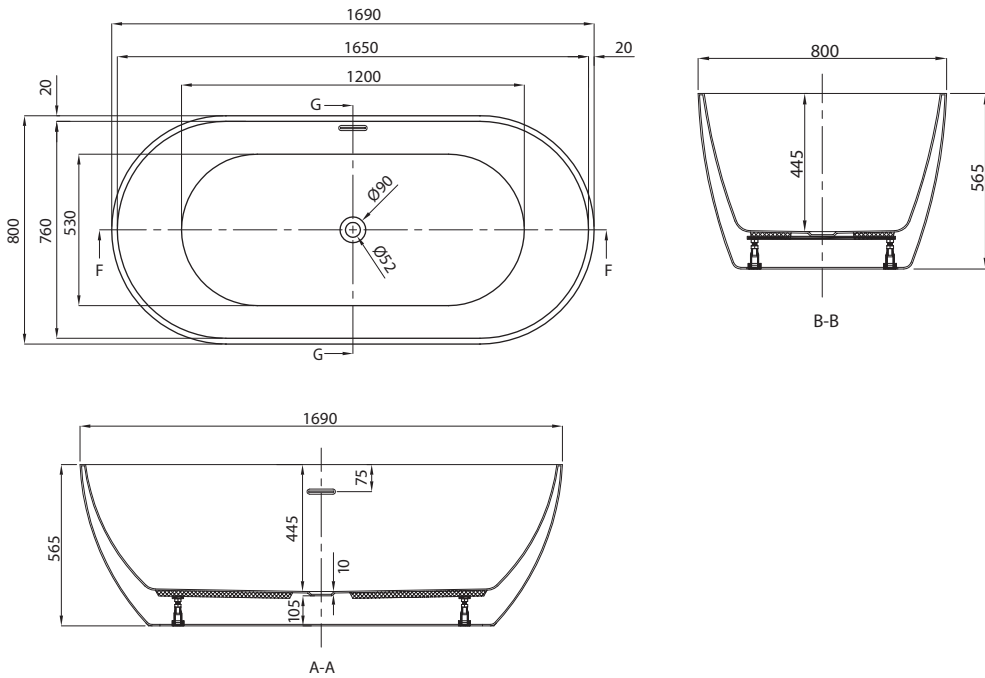
# Julia



## Products Specification

Description	Remarks
Name	Julia Freestanding bathtub
Code	FSBT177840X
Material	Acrylic +FRP
Water capacity	212L
Dimension(LxWxdepth/H)	1715x785x400/560mm
Packing Size	1750x820x630mm
Packing Weight	11 KGS
Dry Weight	53 KGS
Overflow and waste	√
Drain pipe with trap	√
Installation	Freestanding

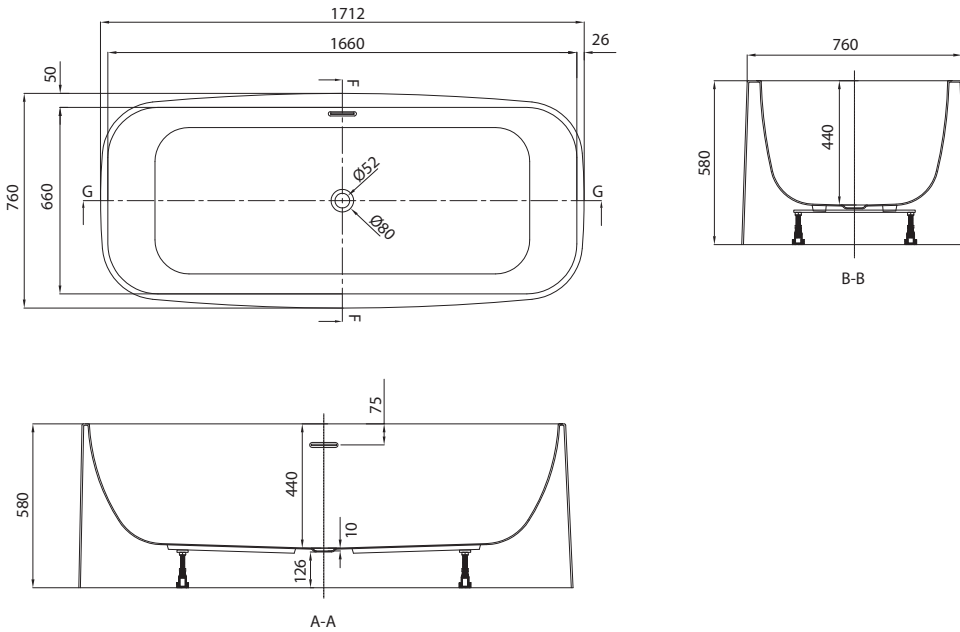
# Saipan



## Products Specification

Description	Remarks
Name	Saipan Freestanding bathtub
Code	FSBT177544X
Material	Acrylic +FRP
Water capacity	320L
Dimension(LxWxdepth/H)	1690x800x445/565mm
Packing Size	1740x840x640mm
Packing Weight	11 KGS
Dry Weight	45 KGS
Overflow and waste	√
Drain pipe with trap	√
Installation	Freestanding

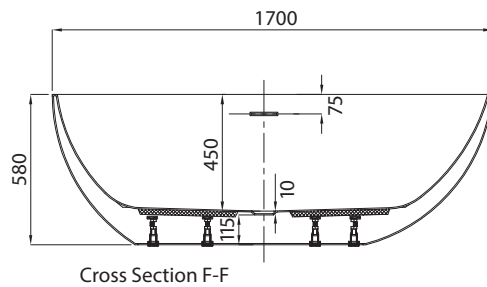
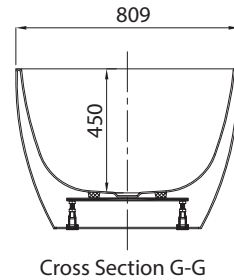
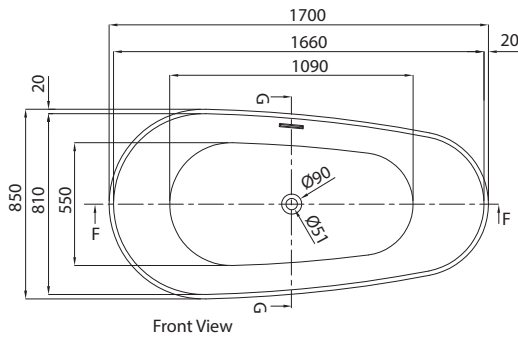
# Alaska



## Products Specification

Description	Remarks
Name	Alaska Freestanding bathtub
Code	FSBT177542X
Material	Acrylic +FRP
Water capacity	325L
Dimension(LxWxdepth/H)	1712x760x440/580mm
Packing Size	1750x800x640mm
Packing Weight	11 KGS
Dry Weight	60 KGS
Overflow and waste	√
Drain pipe with trap	√
Installation	Freestanding

# Eggy

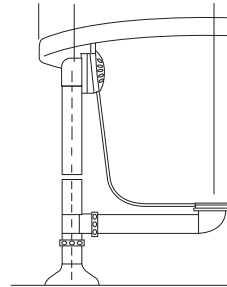
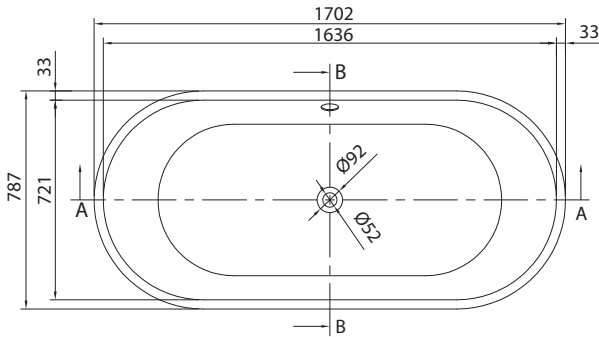


## Products Specification

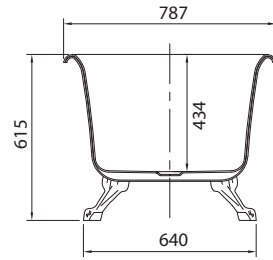
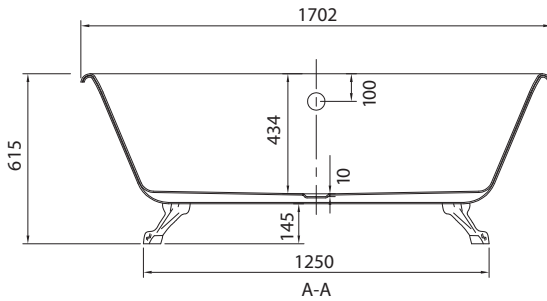
Description	Remarks
Name	Eggy Freestanding bathtub
Code	FSBTPB278X
Material	Acrylic +FRP
Water capacity	295L
Dimension(LxWxdepth/H)	1700x850x450/580mm
Packing Size	1740x890x650mm
Packing Weight	11 KGS
Dry Weight	46 KGS
Overflow and waste	√
Drain pipe with trap	√
Installation	Freestanding



# Queen's



Drain over flow assembly

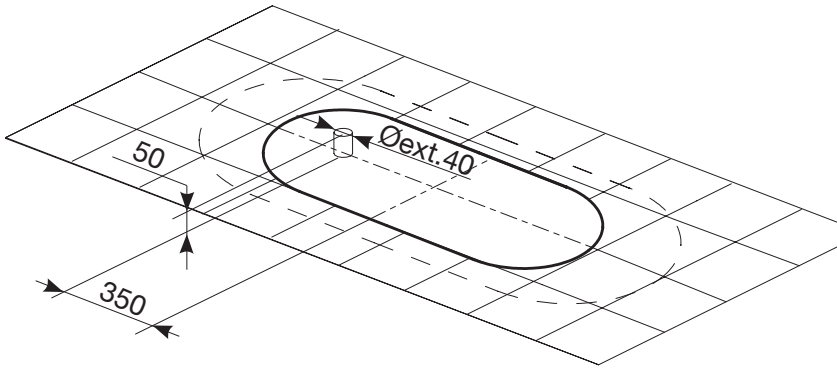


B-B

## Products Specification

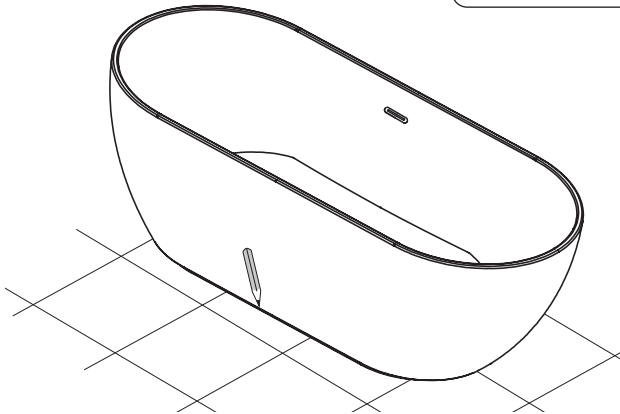
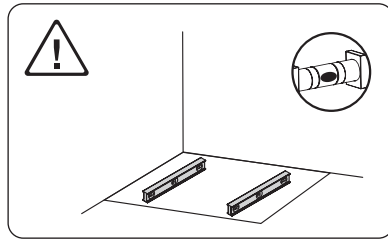
Description	Remarks	Options available in
Name	Queen's Freestanding bathtub	
Code	JBT-WHT-FSBTMAD1778	Chrome plated Legs
	JBT-WHT-FSBTMAD1778G	Gold Plated Legs
Material	Lucite Acrylic	
Water capacity	265L	
Dimension(LxWxdepth/H)	1702x787x434/615mm	
Packing Size	1740x820x670mm	
Packing Weight	11 KGS	
Dry Weight	63 KGS	
Overflow and waste	√	
Drain pipe with trap	√	
Installation	Freestanding	

# Installation

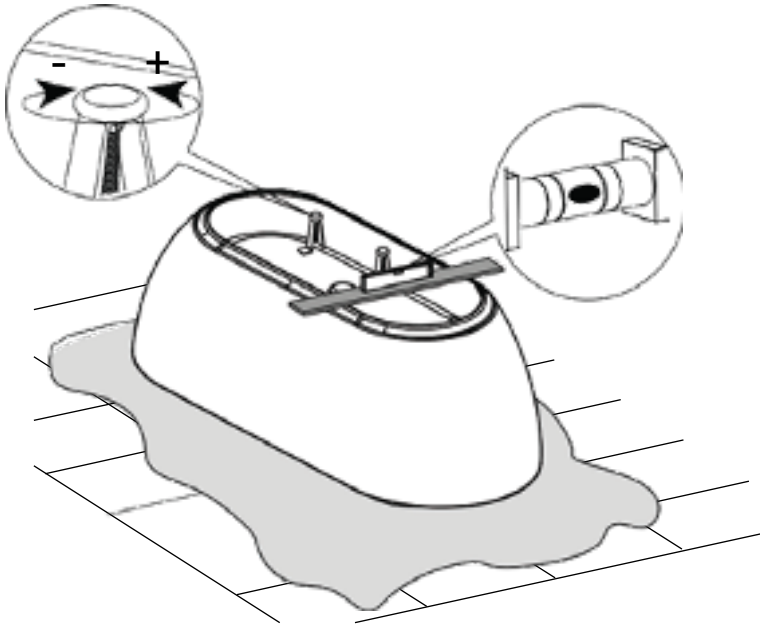


Dimensions in mm

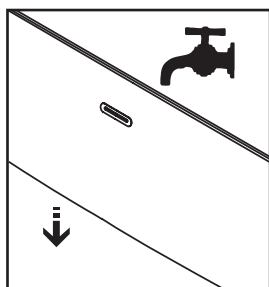
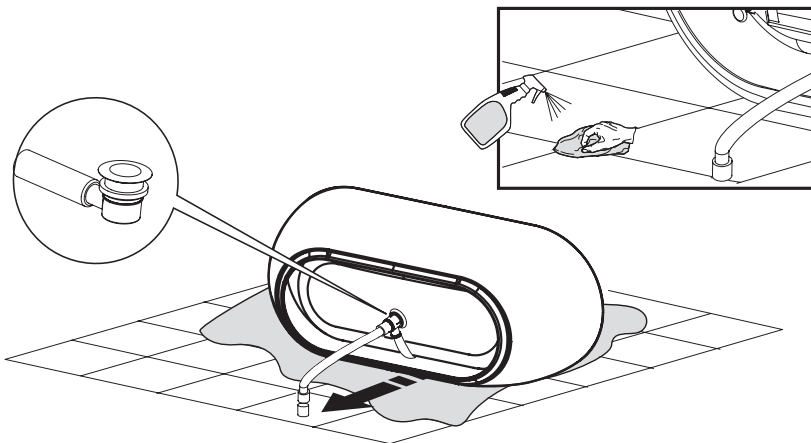
2



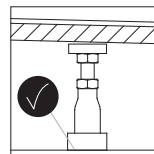
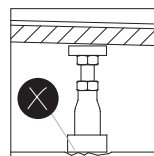
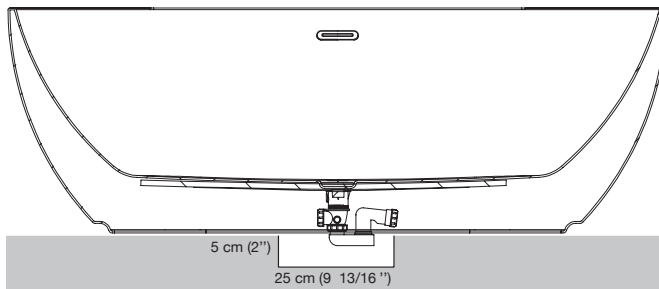
3



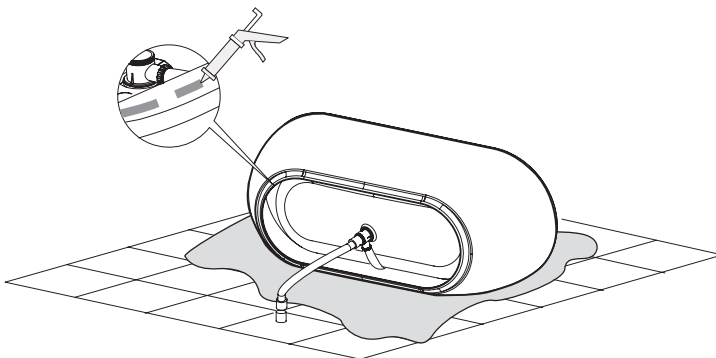
4



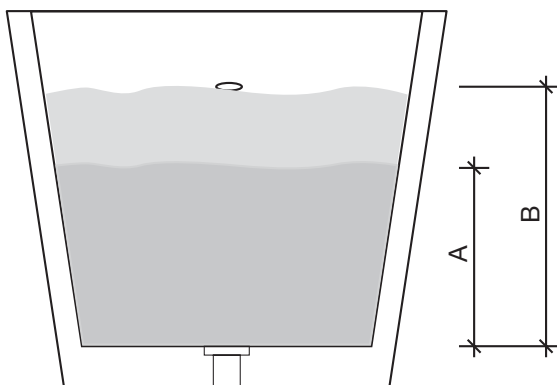
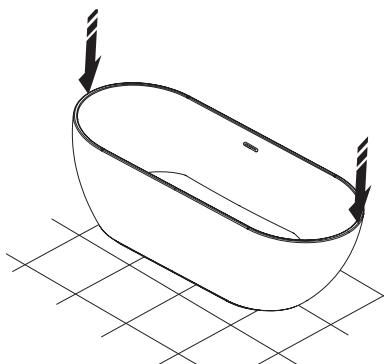
4



5



6



	201 Kg	159 L
	292 Kg	250 L





Jaquar bathtubs are manufactured to the strictest standards to ensure quality performance and full customer satisfaction at all times. Each and every one of our bathtubs is assembled and tested before leaving the factory.

All plumbing installation work should be effected in compliance with the national regulations concerning plumbing installations in buildings. The system must only be installed by qualified professionals.

Jaquar bathtubs declines all responsibilities in the event of improper installation. The maximum recommended water hardness for the range of baths is 13°e (English degree of hardness/250ppm). The bathtubs are not designed to be used for seaweed, mud or seawater treatments, etc.

There is an increased risk of fall when the surface of most baths is wet and therefore slippery. This is particularly true when soap, shampoo, bath oils and other similar products are used. Users of baths must be aware of this fact.

NB: Before proceeding with the installation, check that all the parts supplied are in perfect condition. Notify the carrier immediately if this is not the case.