



Whirlpool User Guide

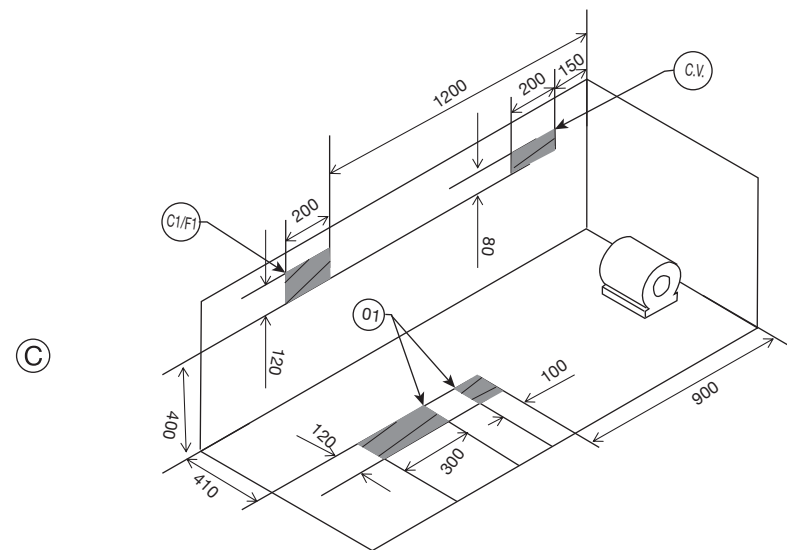
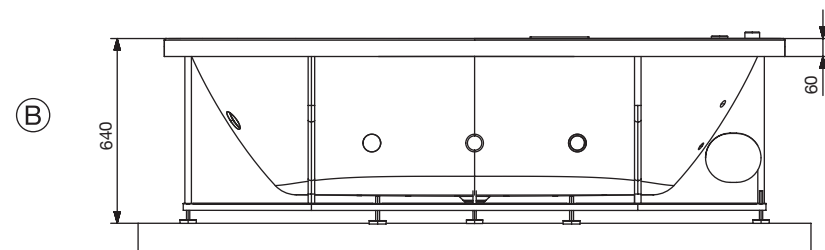
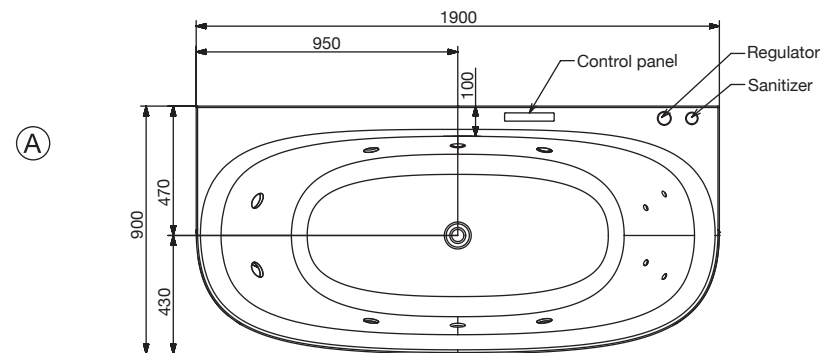
Version: 01B17

INDEX

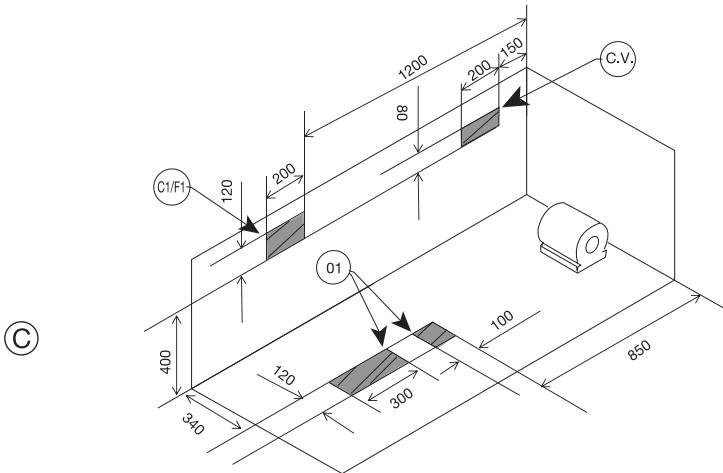
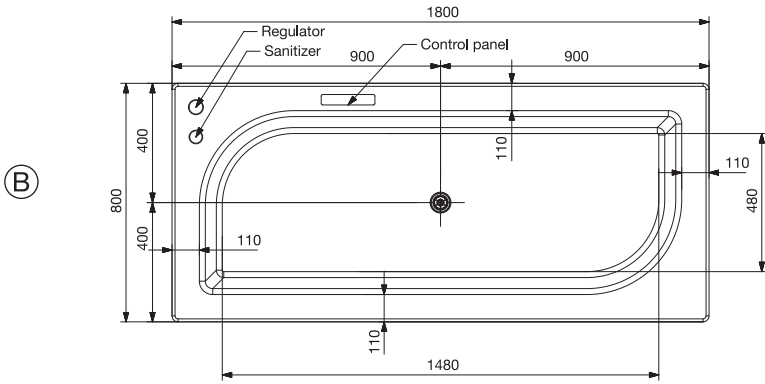
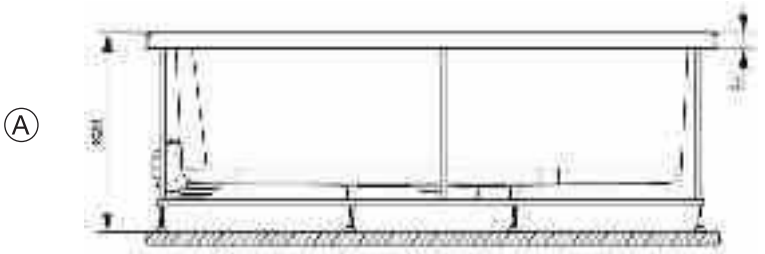
Sr. No.	Topic	Page No.
1	Product Features	2
2	Arc	4
3	Alive	5
4	D'Arc	6
5	Fonte	7
6	Fonte-R	8
7	Fonte-150x75	9
8	Fonte-170x75	10
9	Fusion	11
10	Kubix	12
11	Kubix Prime	13
12	Vignette	14
13	Warning & Tool Required	15
14	Installation Requirements	16
15	Earth Wire	17
16	Installation Procedure	18
17	User Maintenance Instructions	20
18	Key Pad Functions	21
19	Troubleshooting	23

Product Features

Arc

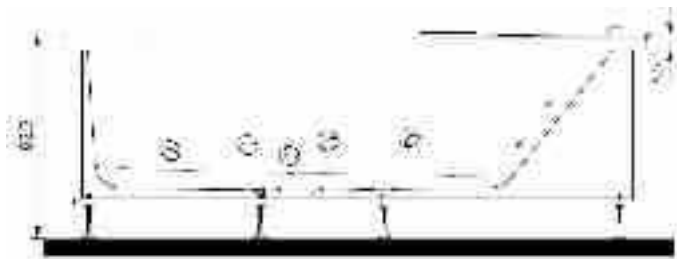


Alive

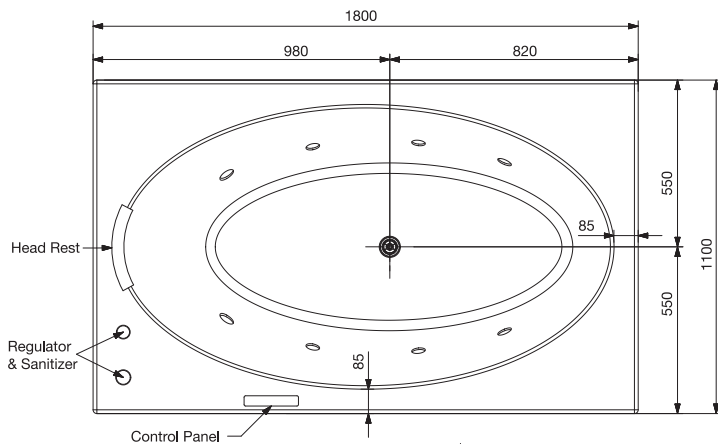


D'Arc

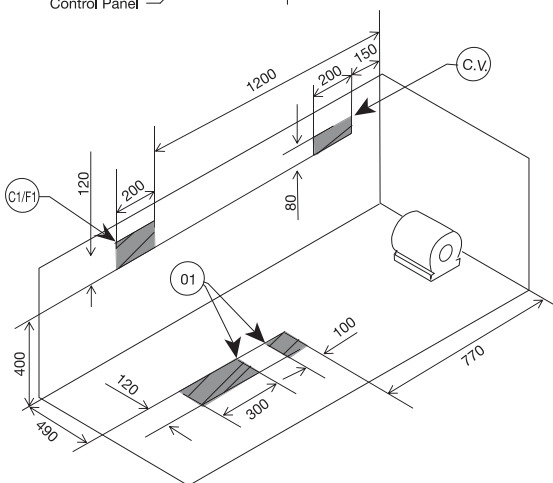
(A)



(B)

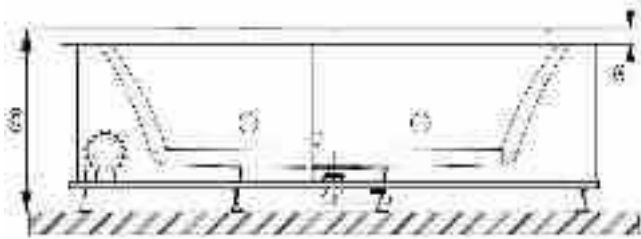


(C)

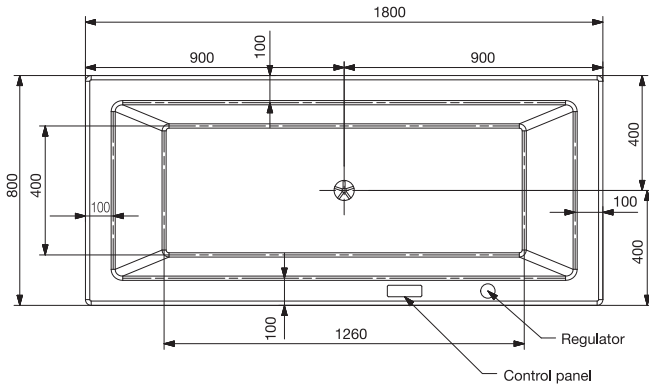


Fonte

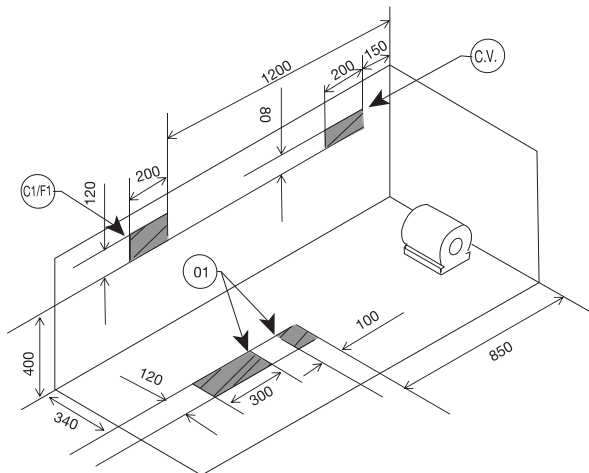
(A)



(B)

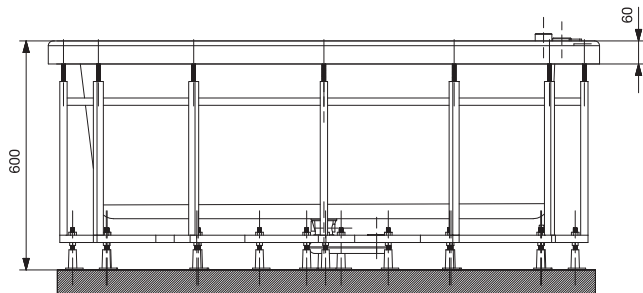


(C)

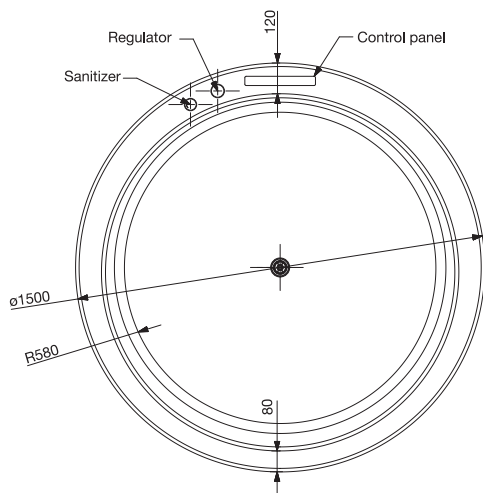


Fonte-R

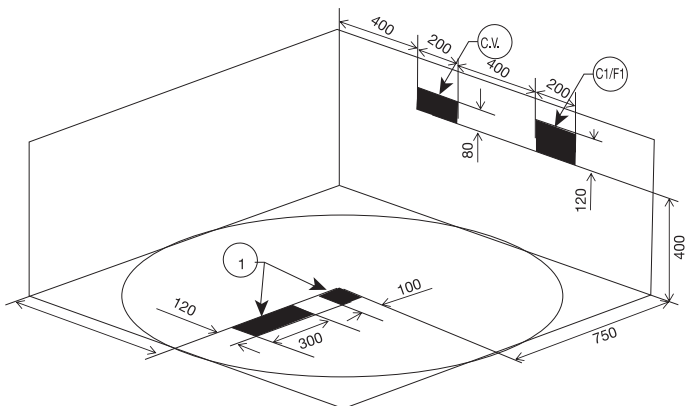
(A)



(B)

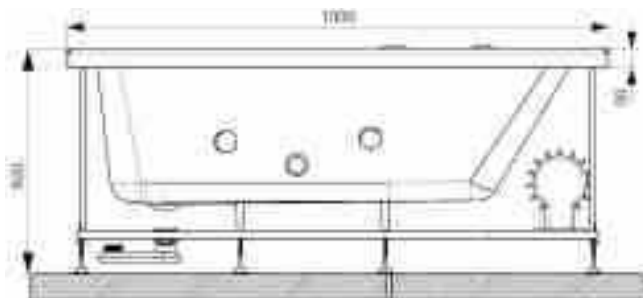


(C)

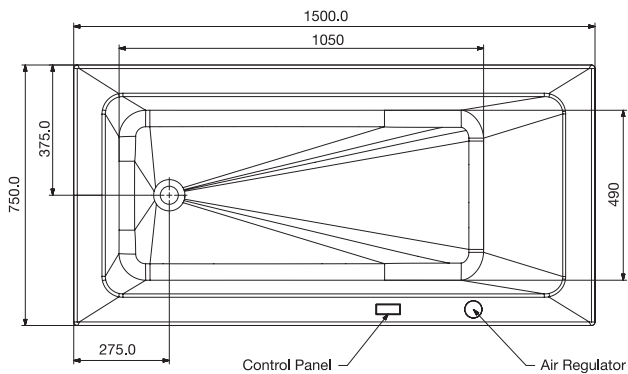


Fonte-150X75

(A)

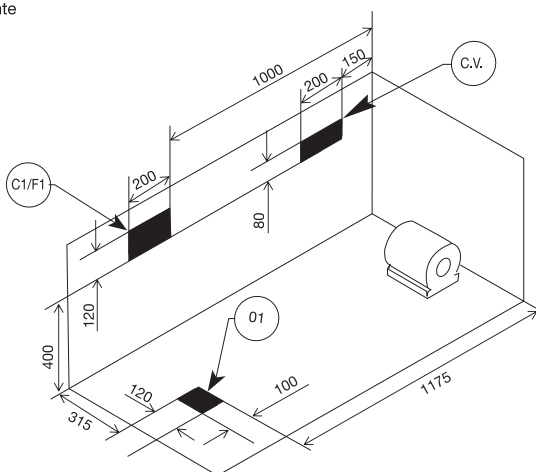


(B)

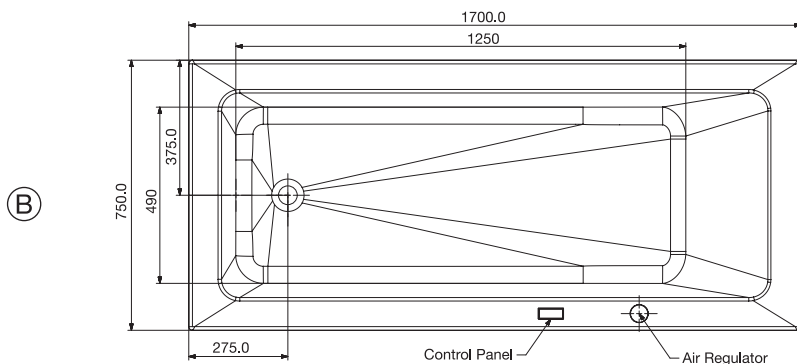


150x75 Fonte

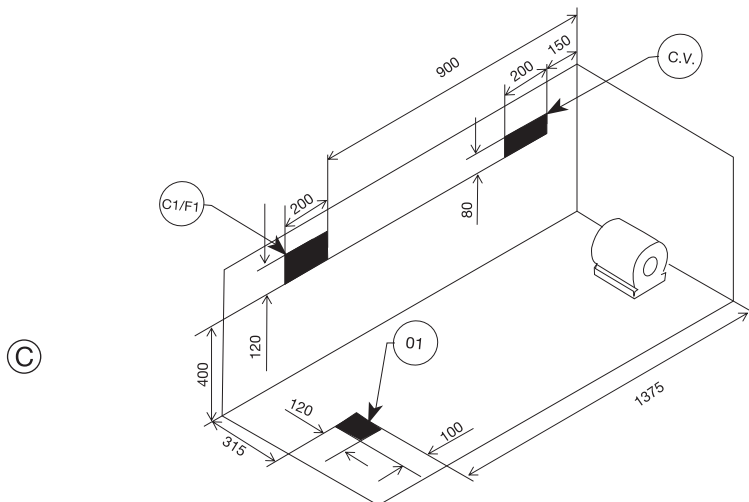
(C)



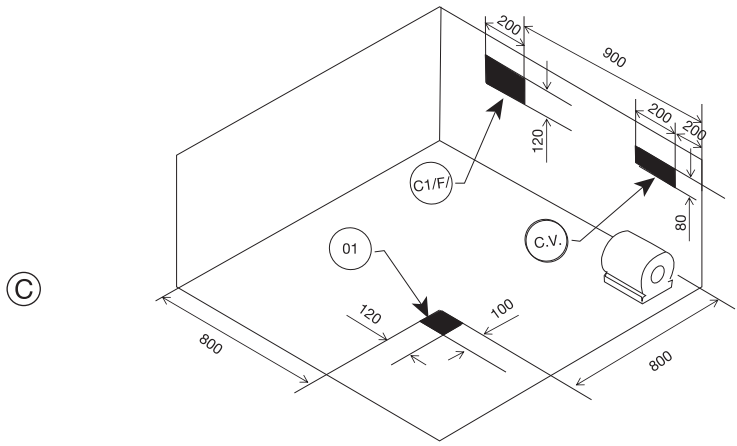
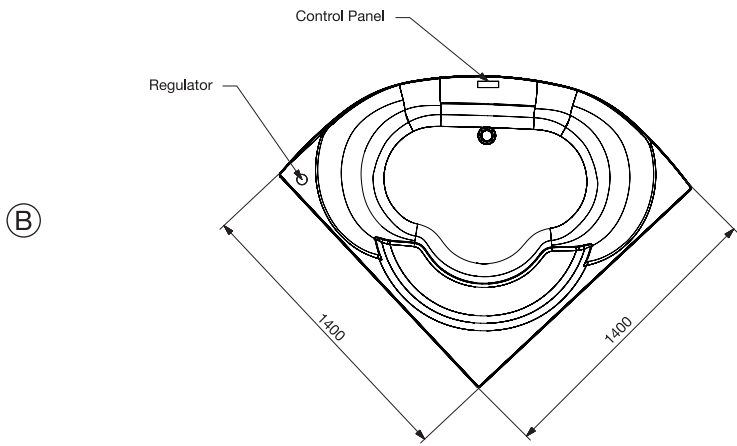
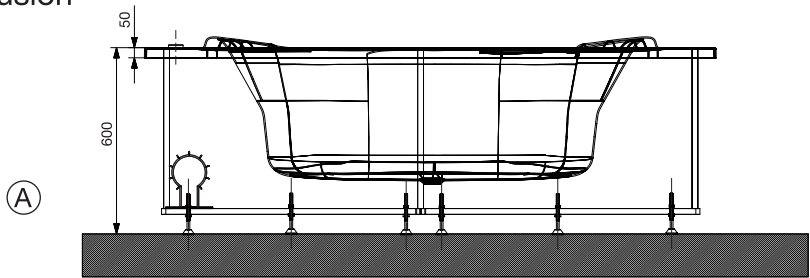
Fonte-170X75



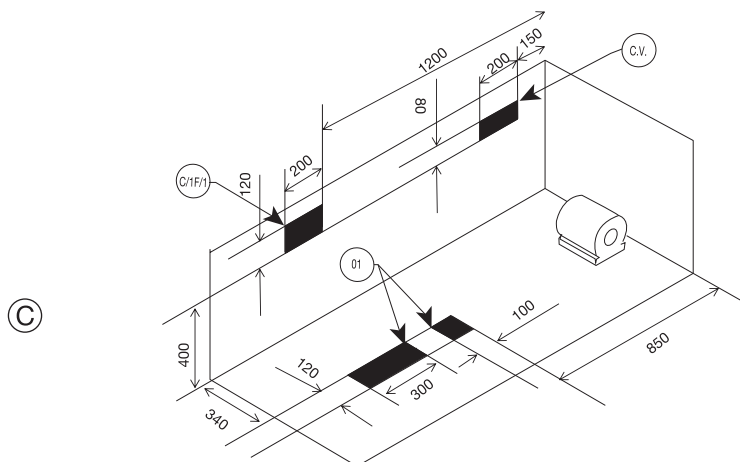
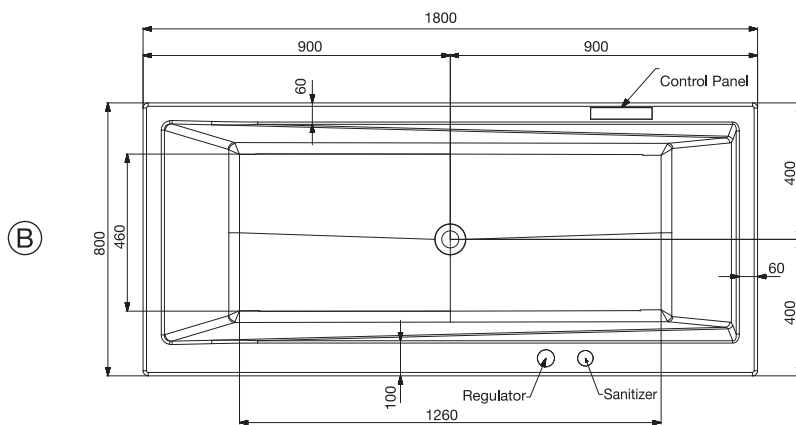
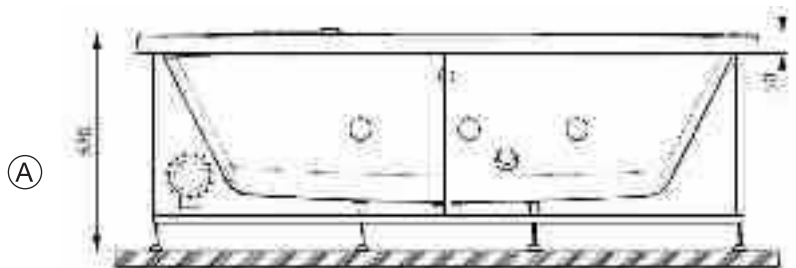
170x75 Fonte



Fusion

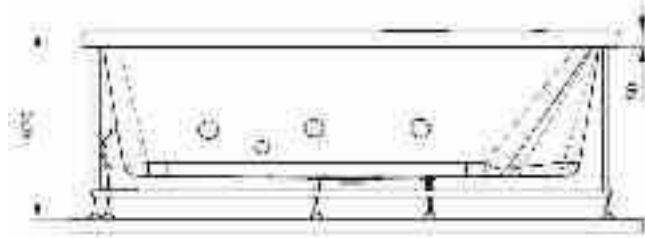


Kubix

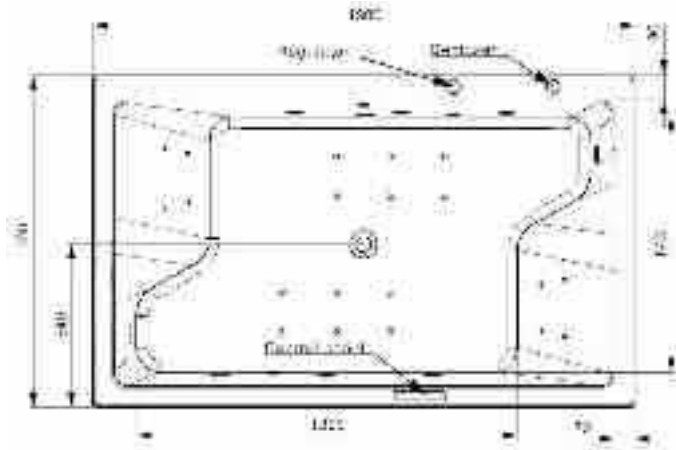


Kubix Prime

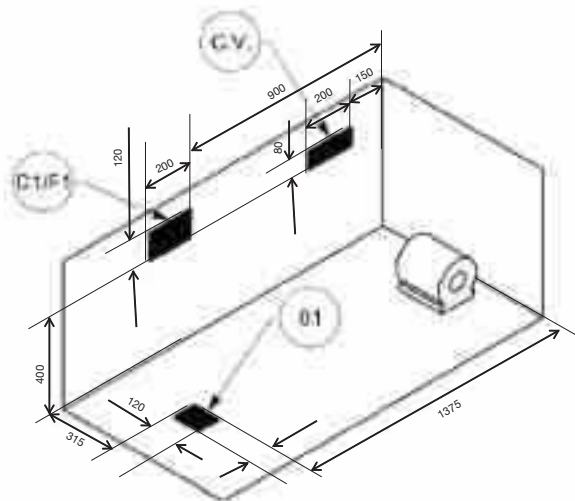
(A)



(B)

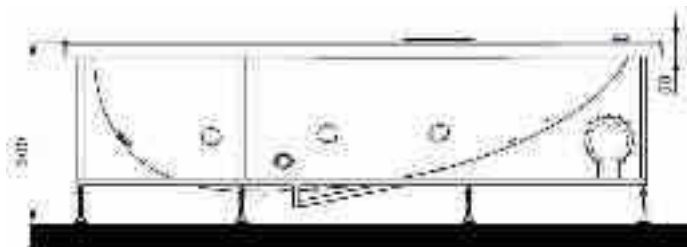


(C)

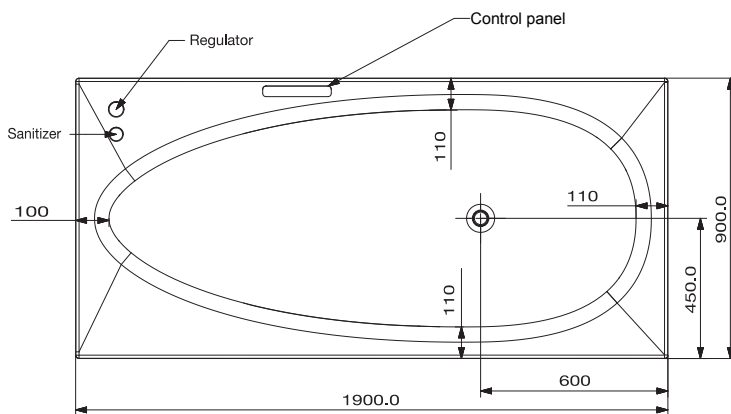


Vignette Prime

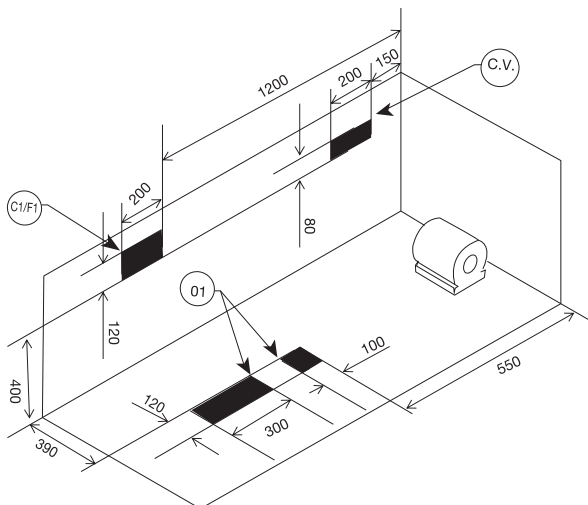
(A)



(B)



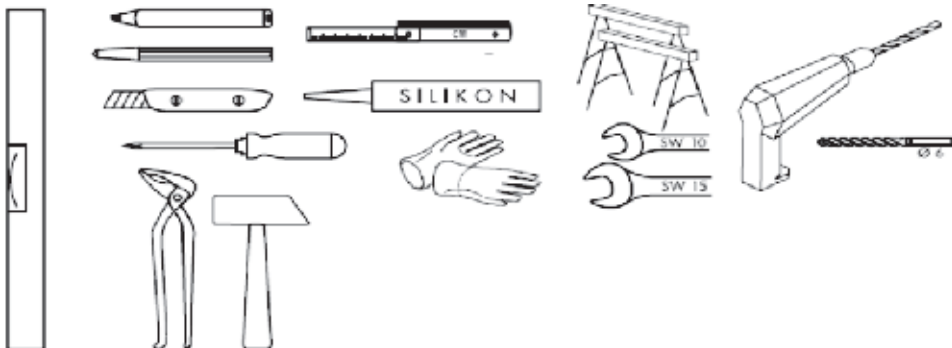
(C)



Warnings

1. All models are manufactured with acrylic material.
2. Sizes are in mm.
3. Dimensional tolerances on real size ± 5 mm.
4. In case of built-in installation, the brickwork can recede of a maximum of 15 mm with regards to the external rim, with the exception of models where the use of a front panel is compulsory. In this case inspection panels must be provided (min. 600 x 400 mm). The inspection panels has to be placed so that parts such as blowers, pumps, valves, connector boxes and other connections and the water supply could be always accessible and replaceable. An air grill (min. 250 cm²) is mandatory.
5. Pay special attention to the overall dimensions of the products.
6. The manufacturer reserves the right to carry out product modifications and improvements at any time without prior notice.
7. The indication of the control in the pictures refers only to the manual control.
8. Bathtub depth: height measured from the rim to the deepest point of the bathtub.

TOOL REQUIRED



Installation Requirements

1. The installer must previously ensure that the floor where the product is to be installed is level, suitable to bear its weight (min 200 Kg/m²) and that all technical arrangements are present. Moreover he must ensure that the walls where the product is to be leant are completely tiled alongside the outer dimensions of the product itself.
2. Ideal working pressure for water inlet 1.5 bar to 2.5 bars.
3. In order to avoid any problems caused by water impurity, it is advisable to install dust filters unit.
4. Water pH/hardness must be maintained to recommended level.

pH	7.2 – 8.0
TH	150 – 300 ppm.
Sanitizer	2- 4 ppm

For proper installation, it is necessary to have the following accessories which are not supplied by the manufacturer:

- a) Fittings needed to connect the bath rim taps to the house water mains (connection to taps with ½” fittings).
- b) Fittings needed to connect the sunken drainage to the drain column of the bath (connection to waste column with 1 ½” collar waste trap)
- c) The installation of electrical devices (sockets, switches, lamps, etc.) inside the bathroom, must comply with provisions currently regulating the matter in the country in which the device will be installed, and must be carried out by qualified personnel.
- d) The power box for the bathtub (to be connected to the C.V. Point) is present only in versions with whirlpool and/or air pool.
- e) For electrical connection to the power box (only for product versions equipped with power box) use a type H07 RN-F cord of 2.5 mm² section or AWG 14.
- f) In the connection cord for the power box the grounding terminal (Yellow Green) must be at least 30 mm longer than the phase and middle conductors.
- g) MCB/ Differential switch of 16A with sensitivity 30mA is required to feed electrical supply

Earth Wire

The earth wire must be connected and fixed permanently 3.00 mm core conductor dia. to the electrical system.

Electrical supply & safety devices.

- a) The equipment must be connected to the equipotential system of the room and duly fastened to the suited clamp that can be found on the product.
- b) Connection to the power mains foresees installation of a 30mA max. Differential switch (RCCB/ELCB/GFCI), with at least 3 mm contact opening and suitable for a single phase supply.
- c) Switches must be arranged near the device, upstream of power boxes (only for product versions equipped with power box).
- d) The product supporting structure is made of metal, therefore an efficient ground dispersal provision is required, with regulations compliant sensitivity.

References for Installation Legend

A Outer dimensions

*Bathtub depth

** Dimensions relative to the panel.

B Inner dimensions

C Legend for installation or product placing

O1 Area for drainage sunken in floor.

C1 Area for hot water pipe outlet from the house

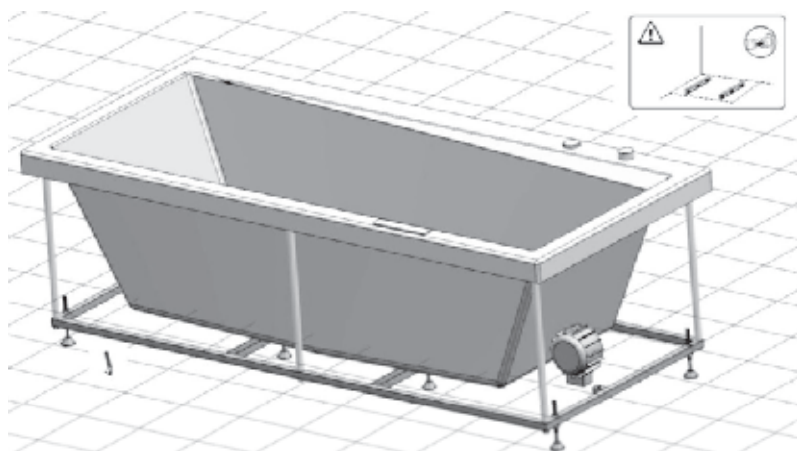
Water mains in case JAQUAR taps are installed on tub edge

F1 Area for cold water pipe outlet from the house water mains in case JAQUAR taps are installed on tub edge.

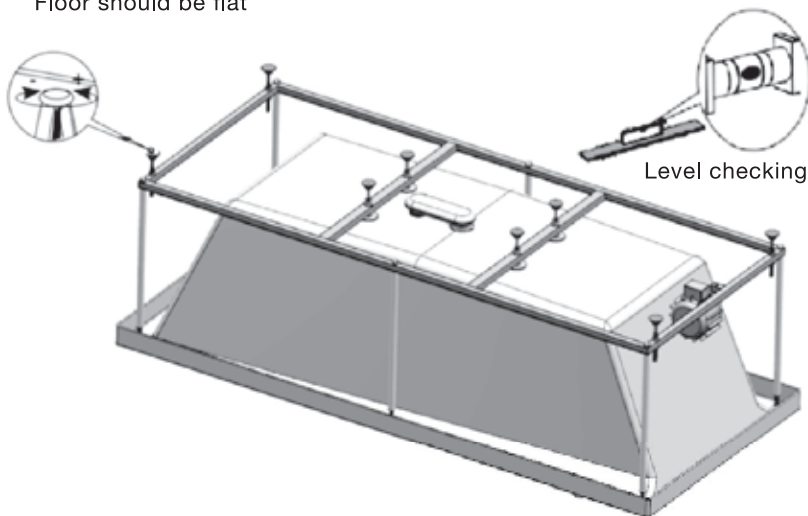
C.V. Suggested area for electrical input wall outlet.

Note: Refer product drawing / installation Legend for marked references. (Pg:3 to Pg:13)

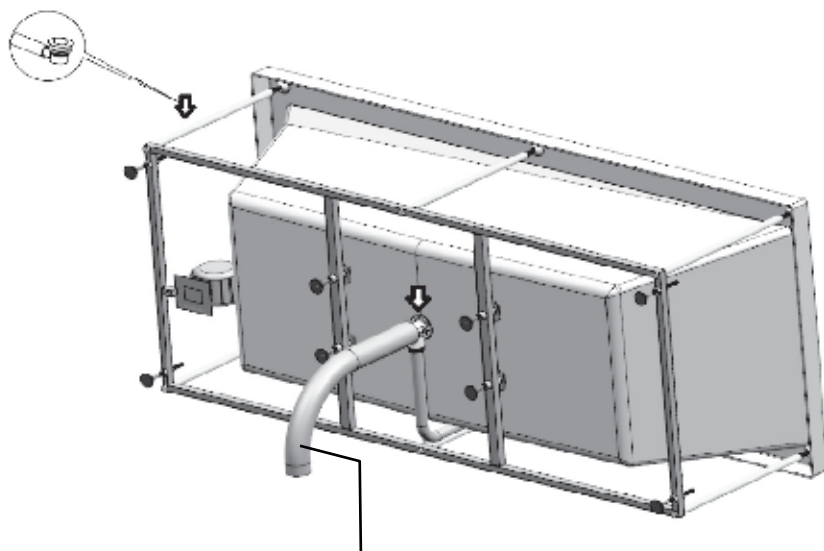
Installation Procedure



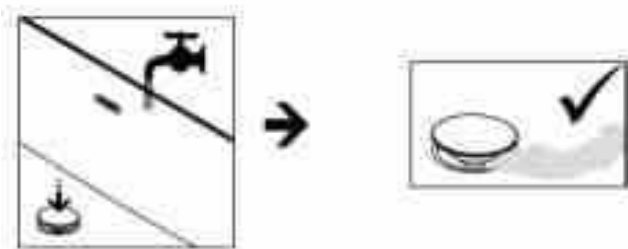
Floor should be flat



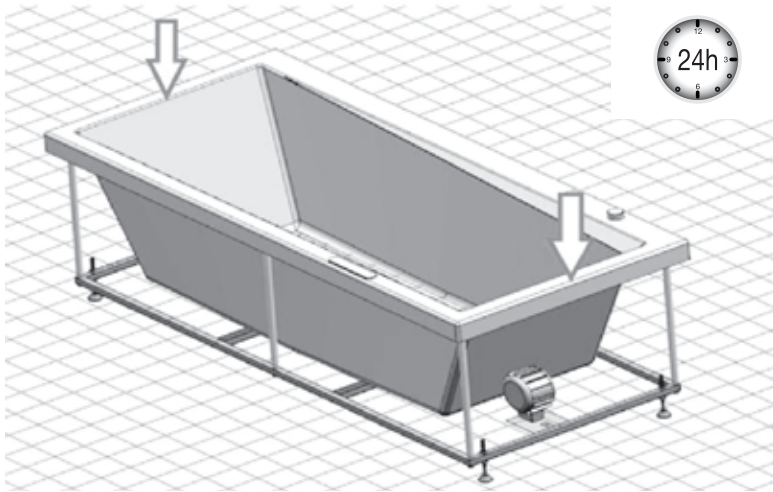
Note: Pictures used above for reference only. For product placement check physically with required model.



Note: Connecting pipe (Flexible pipe of diameter 40) not available with product



Note: Pictures used above for reference only. For product placement check physically with required model.

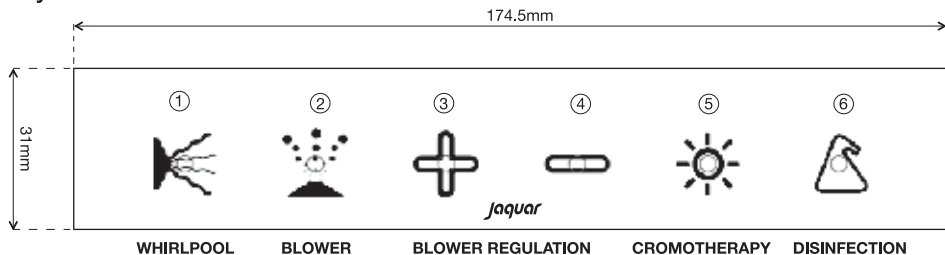


User Maintenance Instructions

- Periodic cleaning and maintenance should be done to avoid the buildup of damaging lime scale deposits.
- Bathroom harsh cleaning agent residuals may damage components made of metal, glass and/or chromed parts such as, seat hinges, trim plates, push buttons, etc.
- Clean the bathtub with liquid soap and water and soft, non-abrasive cloths or sponges. Never clean the bath with acrylic solvents (acetone, alcohol, etc.)
- To keep your bath looking shiny, use a standard household polish.
- Use a soft cloth to clean any metal parts and leave them shiny and scratch free. Do not clean the metal with corrosive products.

Note: Pictures used above for reference only. For product placement check with model specific dimensions.

Key Pad Functions #1



Note:

- Functions are subject to availability in model specific.
- The function can be activated only if there is water level into the bath tub.

Button 1:. Cycle time is of 30 minutes and you will see the blue LEDs of the corresponding button lit. When water level is lost with whirlpool function active, the function is automatically switched off together with the blue LED.

Button 2: Blower and blowing after Blower: It lasts for 30 minutes and you will see the blue LEDs of the corresponding button lit. Blower always starts at max speed, and at the same time the LEDs corresponding to the regulation button become blue to indicate that it is possible to change speed (see buttons 3 and 4).

Button 3 and 4: Blower speed regulation With blower function active, the blink speed of blue LEDs of speed regulation button increases when blower speed is increased and vice versa. The regulation buttons allow to select among 10 steps of possible speed. You start from speed 10, then decrease by one step when you press the button “-” until you reach speed 1, then you increase again by one step every time you press the button “+” until you reach speed 10 again.

Button 5: Chromo therapy if you press the chromo therapy button with water level present, you activate the function and the spot lights with white light. The blue led on the keypad is lit and additional button hits allow to select color among the eight colors sequence i.e. white – red - yellow – orange – green – light blue – blue – purple). Manual chromo therapy has duration of 60 minutes from activation

Button 6: Disinfection can be activated only if there is water level present into the bath tub and disinfection level into the tank. All functions, except chromo therapy, must be switched off. During disinfection process, all other functions are inhibited. When the 3 minutes of cycle end, the keypad will keep the blinking indicating disinfection active of 2 additional minutes.

Troubleshooting

PROBLEM	POSSIBLE CAUSE	POSSIBLE SOLUTION
The Water system not working	Is the water level sufficient? Is there electricity? Is the keypad activated? Are the jet clean nozzles, If not	Wait for the tub to fill CONTACT THE SITE ELECTRICIAN Activate the keypad Clean it
The air system not working	Is there electricity? Is the keypad activated?	CONTACT THE SITE ELECTRICIAN Activate the keypad
The system starts up automatically Without an obvious reason	Improper connection to level sensor Level sensor faulty Scaling in shell/from of sensor	Check/ replug sensor connection on ECU Replace sensor Clean scaling
Water flow from jets.	Are the jets open? Are the jets clogged?	Turn the diffuser counter clockwise Clean the jets
Water leaks under the tub	Loose joint/ coupling Loose or Crack in T & pipe, etc.	Tight it properly Replace the leaky part
The underwater light not working	Is the water level sufficient? LED/Bulb blown off Has the control been activated correctly? Is there electricity?	Fill the tub Replace with new one. Activate the function Check terminal voltage.
The controls remain off	Is there a power failure? Is the dedicated switch 'OFF' or ELCB/RCCB trip The controls are not working?	Check the main electricity supply in The home Power it up/down Replace remote battery / Check Different control
Current sensation in water	Leakage current / Earth current If rated different, replace it with correct Cut or injury on user body	Check ELCB/ RCCB/RCD/ GFCI: Installed or not Check rating: sensitivity 30mA (RCD) Advise do not use/enter in product.
ELCB re-trips again	Sparking / loose connections Sudden change in electrical load Product/part may be faulty	Check for loose wire connection Try reset safety device Disconnect all subparts and Reconnect 1 by 1.

Water Capacity

Model	Water Capacity (Ltr)
Kubix 180x80	250
Fonte 180x80	220
Alive 180x80	330
Fusion 140x140	220
D' Arc 180x110	300
Vignette Prime 190x90	300
Fonte R 150x150	330
Fonte 150x75	175
Fonte 170x75	205
Kubix Prime 180x110	430
Arc 190x90x47	370

Note: The measured weight may vary from the actual weight by at most 3.0 kg's.

jaquar.com