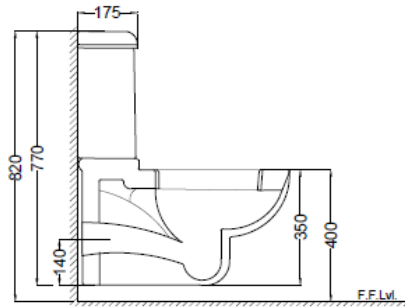
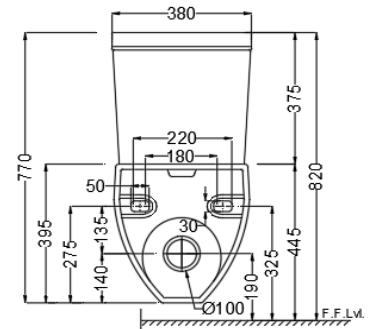


TOP VIEW



SIDE VIEW



BACK VIEW

General Information

Product Code	CNS-WHT-353SPPZ
Brand	Jaquar
Colour	White
Type	Extended Wall Hung WC
Material	Ceramic-Vitreous China (VC)

Product Specification

Product Dimension	380x630x770 mm
Bowl Opening (Inner Dimension)	290x330 mm
Product Net Weight	27 Kg
Product Gross Weight	33 kg
Packaging Dimension	820x420x410 mm
Outlet	Horizontal
Trap Distance	P Trap - 190 mm
Inlet And Outlet Hole Dimension	External diameter of outlet hole dia. $\varnothing 100 \pm 5$ mm
	Vertical distance between the Floor and the centre line of the waste outlet hole ≤ 190 mm

Product Features	<p>Beautiful Round Shape Extended Wall Hung WC</p> <p>PP Soft Close Seat Cover</p> <p>Water Usage - 3/6 LPF With Wash Down Flushing</p> <p>Anti Bacterial Glaze on Ceramic</p> <p>Smooth Glaze Surface</p> <p>Material - Vitreous China (VC)</p> <p>Product With Complete Genuine Accessories</p> <p>Complete Trap Wash</p> <p>Flush Mechanism works with Muddy water</p>
------------------	---

ACCESSORIES PROVIDED

Seat Cover	CNS-WHT-105S
Cistern	CNS-WHT-203C
Cistern Fittings	ZCF-WHT-FT003
Outlet gasket	ZPS-BLK-GK02

ACCESSORIES RECOMMENDATION

Rag bolt	ZPS-MST-RB07
----------	--------------

QUALITY MANAGEMENT SYSTEM - ISO 9001



DISCLAIMER: Our every effort has been made to ensure factual accuracy, the information presented subject to changes due to requirements in different sites, markets and/or countries. All dimensions are in mm (Tolerance ± 5 MM). Jaquar reserves the right to make the necessary amendments at any time without prior notice.