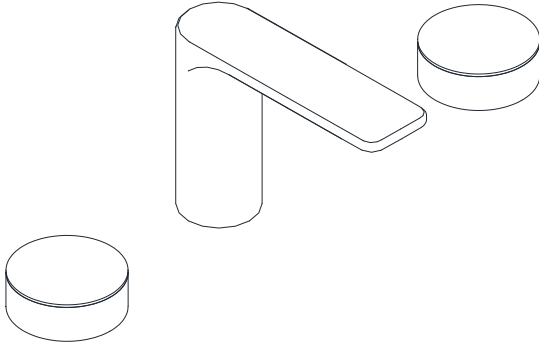
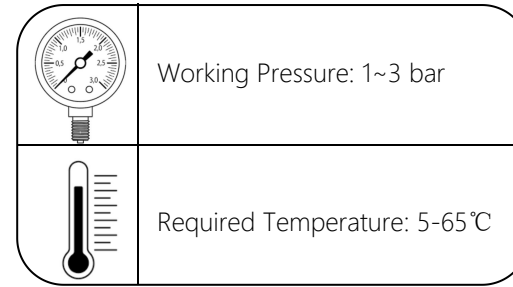




LAG-91189CSR

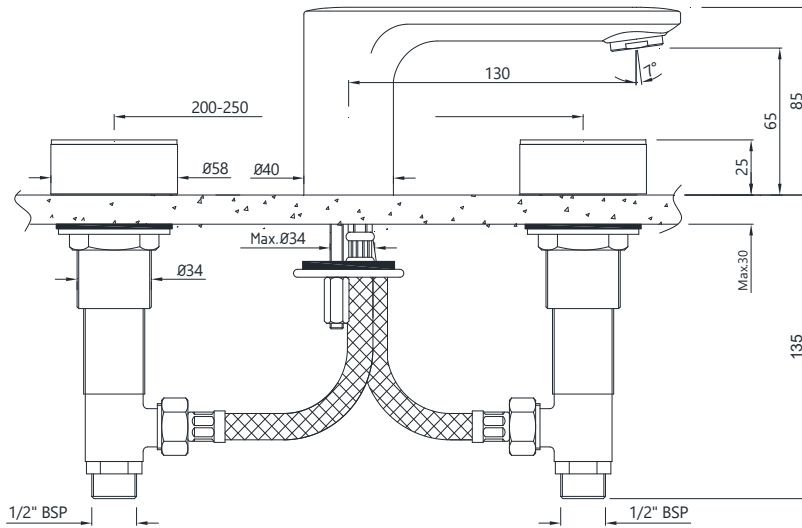


TEMP. & WATER PRESSURE REQUIREMENTS

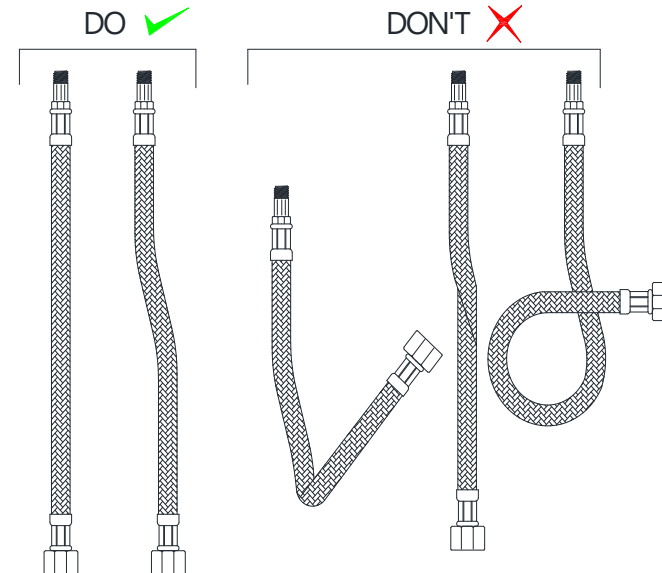


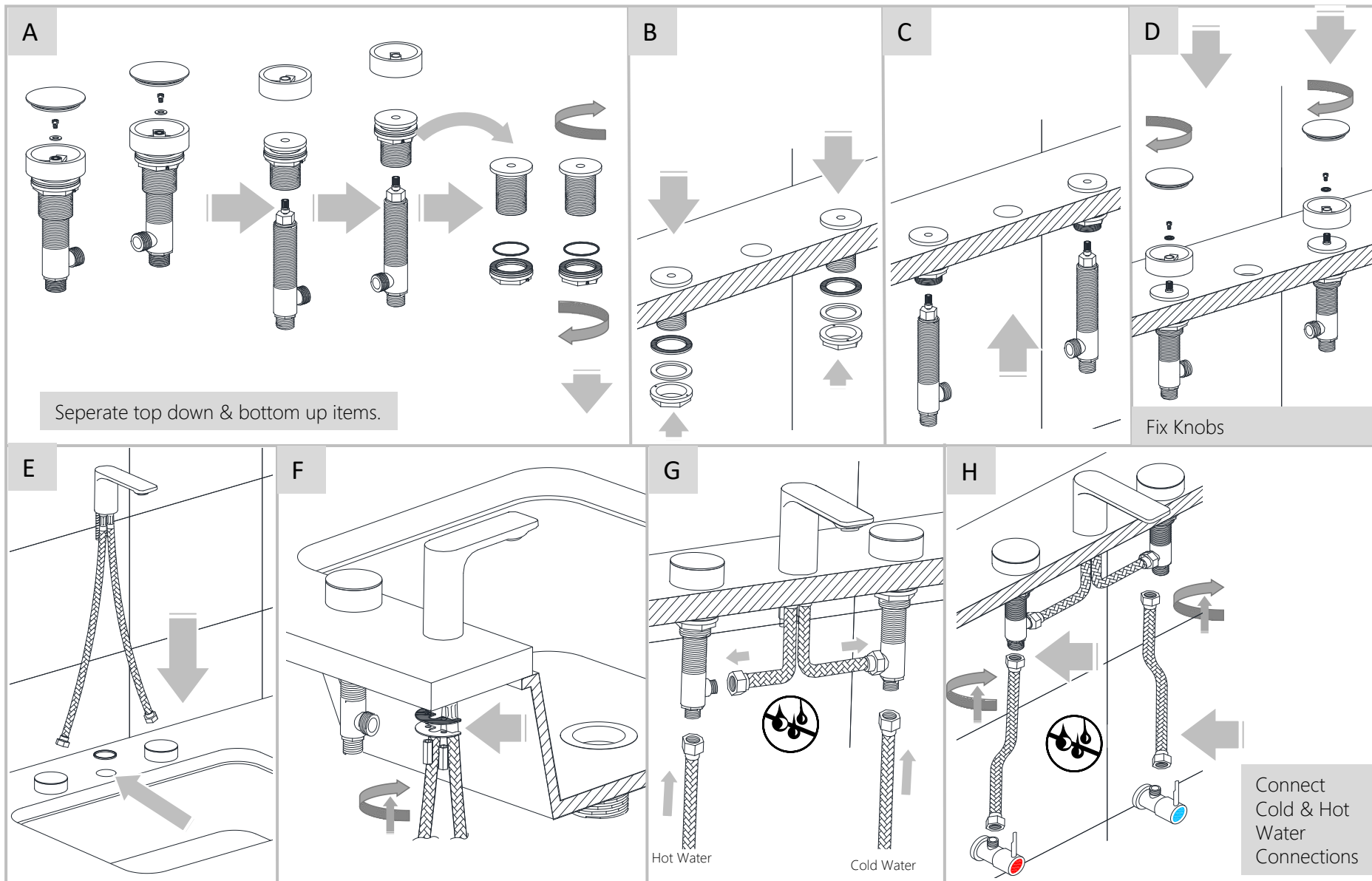
Note: Above values are the recommended values for Getting Conventional Outputs.

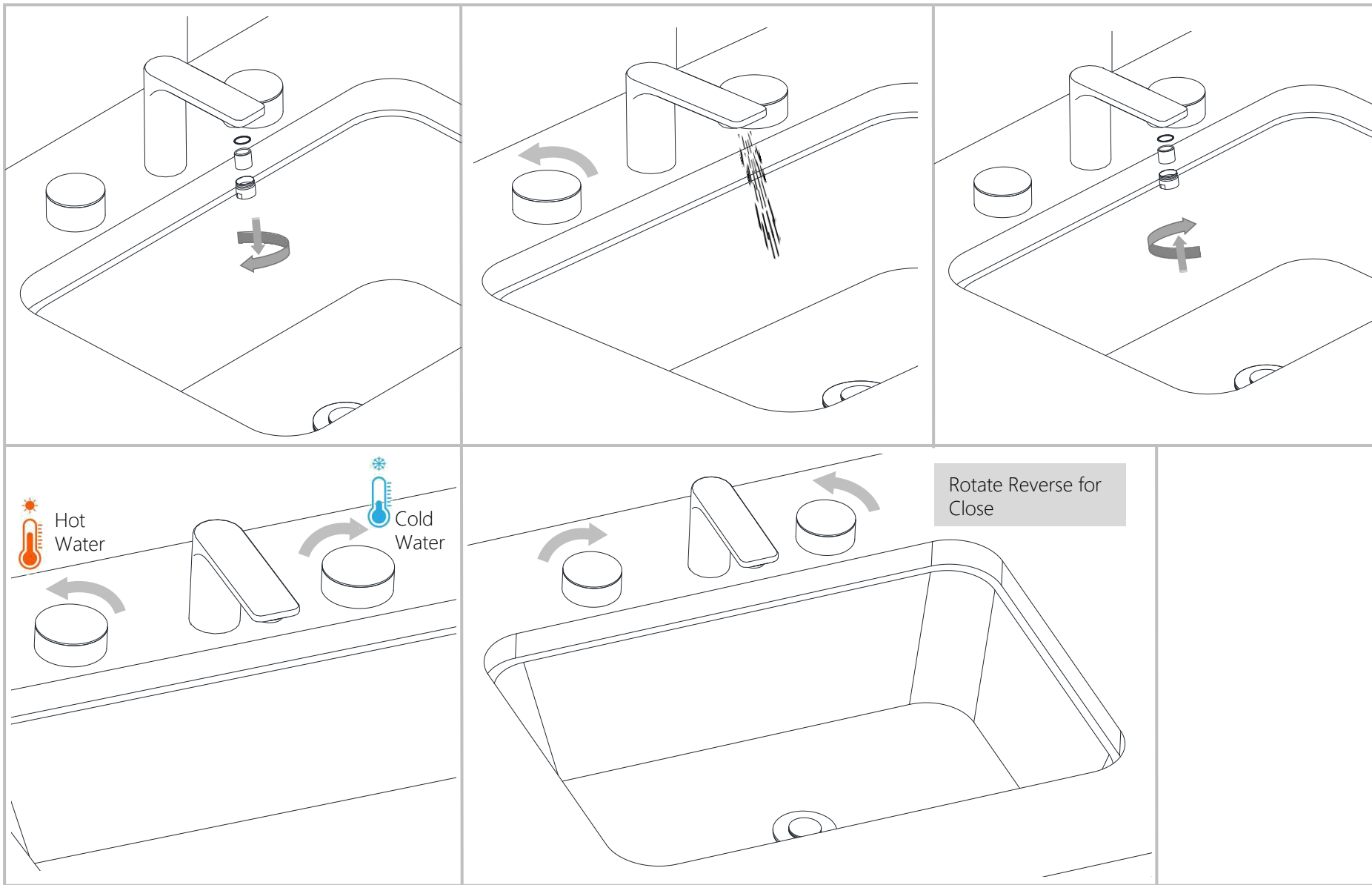
TECHNICAL DRAWING



TAKE CARE DURING CONNECTION'S

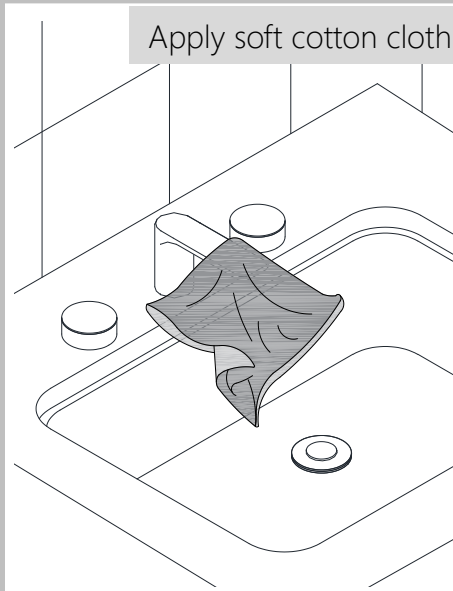




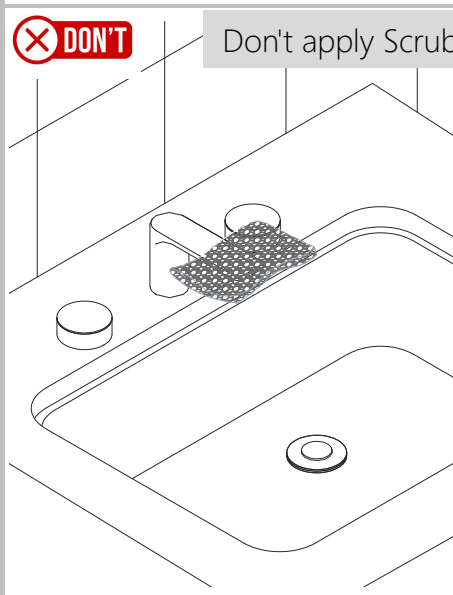
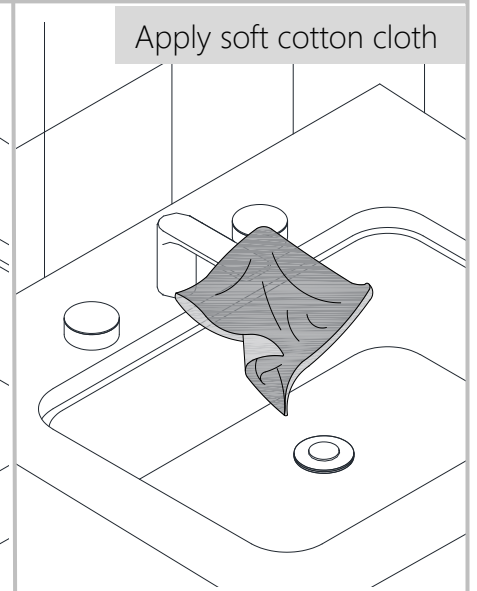




Apply soft cotton cloth



Apply soft cotton cloth



Don't apply Scrub

Steps & Cleaning agents requirements for Aerator Cleaning.

