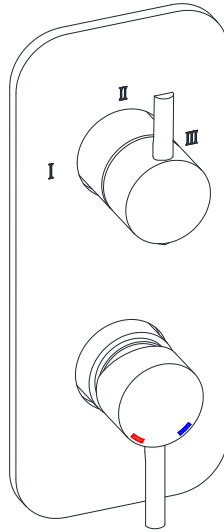


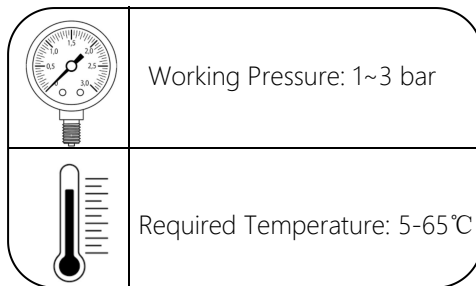


FLP-5783NKPM

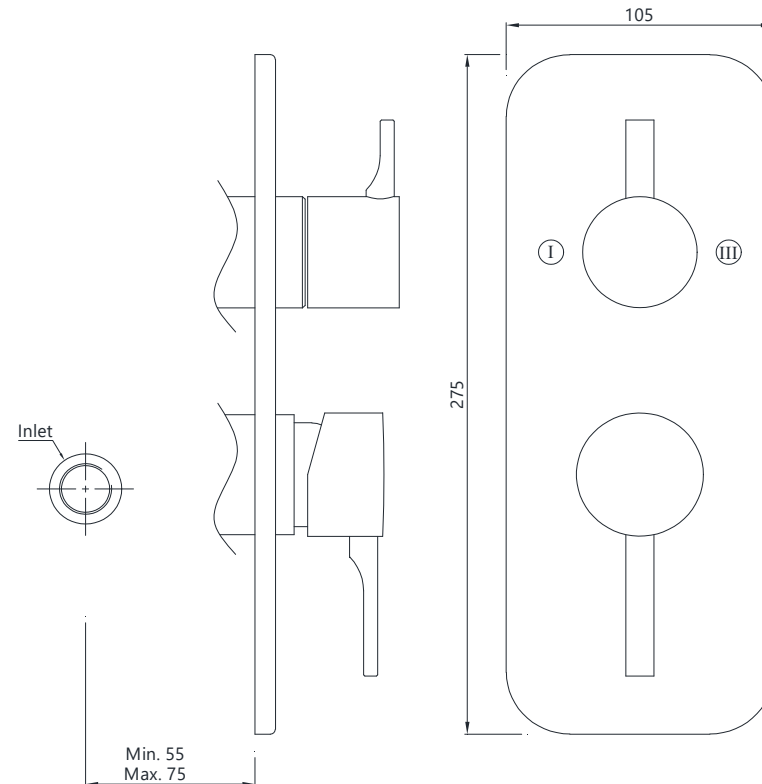


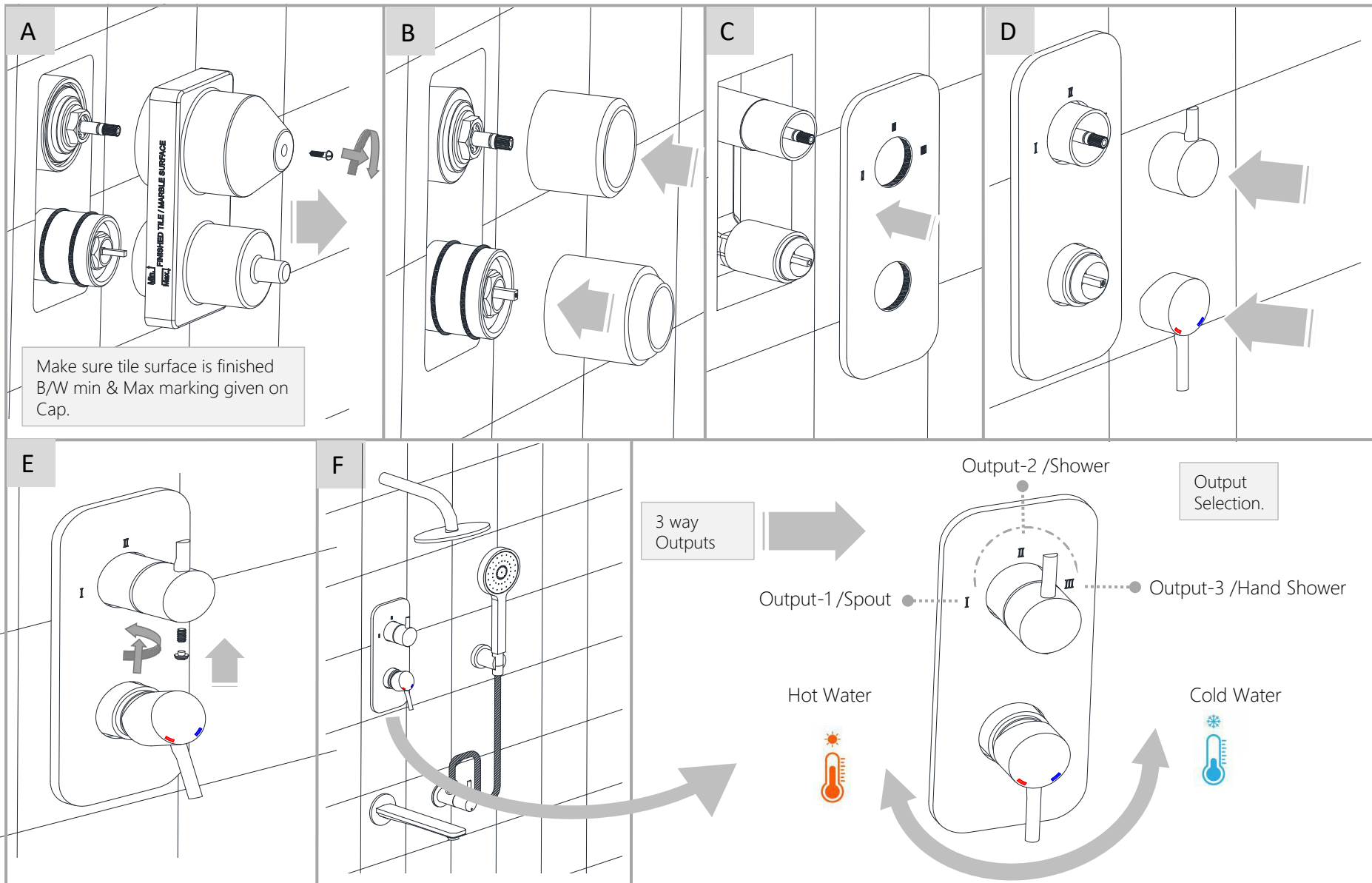
TECHNICAL DRAWING

TEMP.& WATER PRESSURE REQUIREMENTS



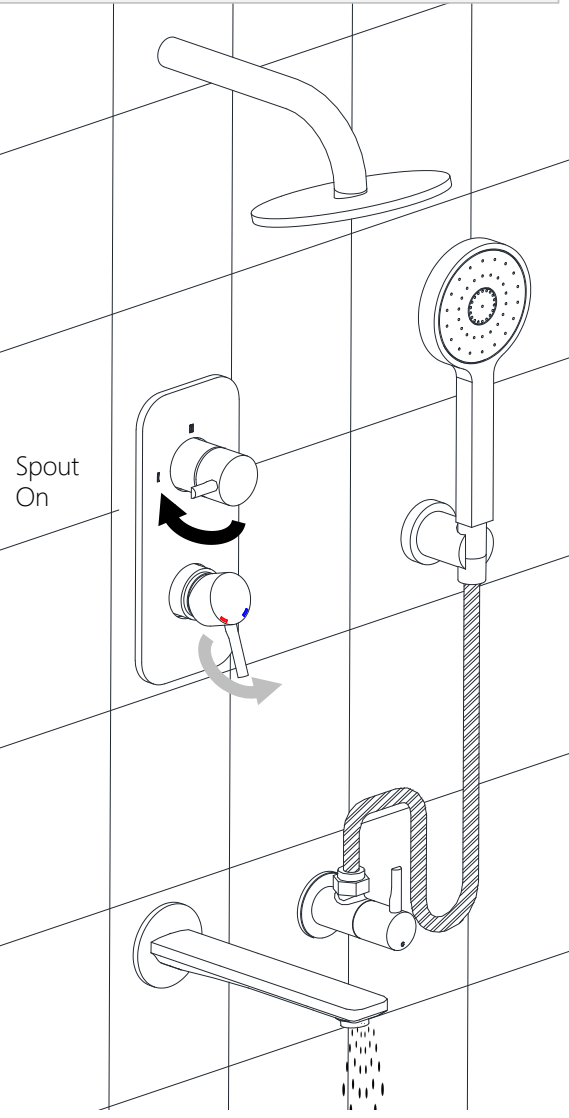
Note: Above values are the recommended values for Getting Conventional Outputs.



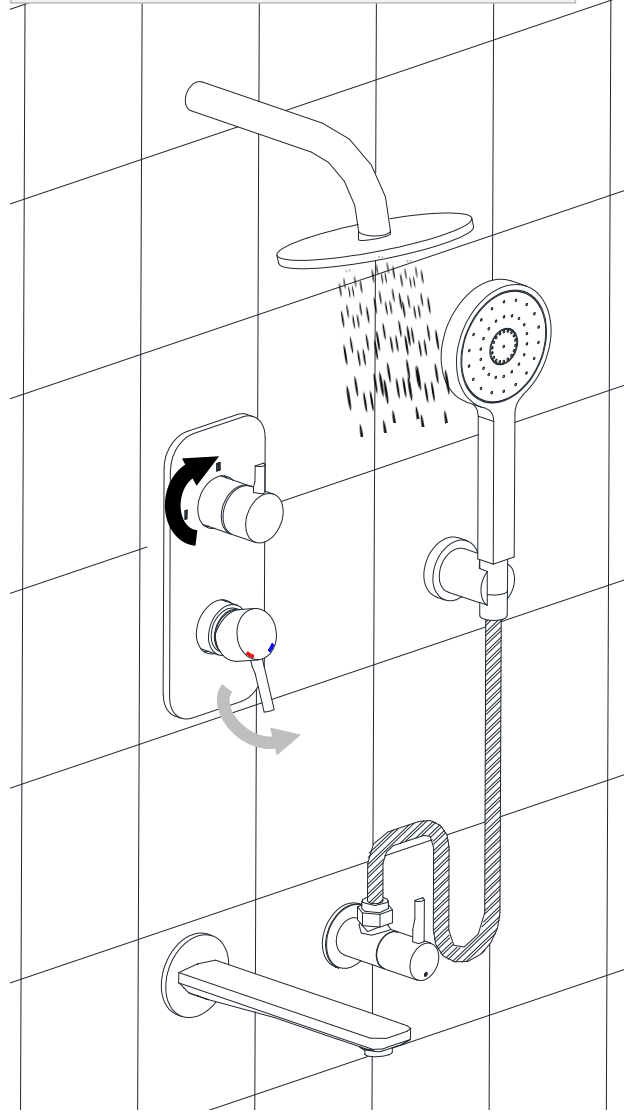




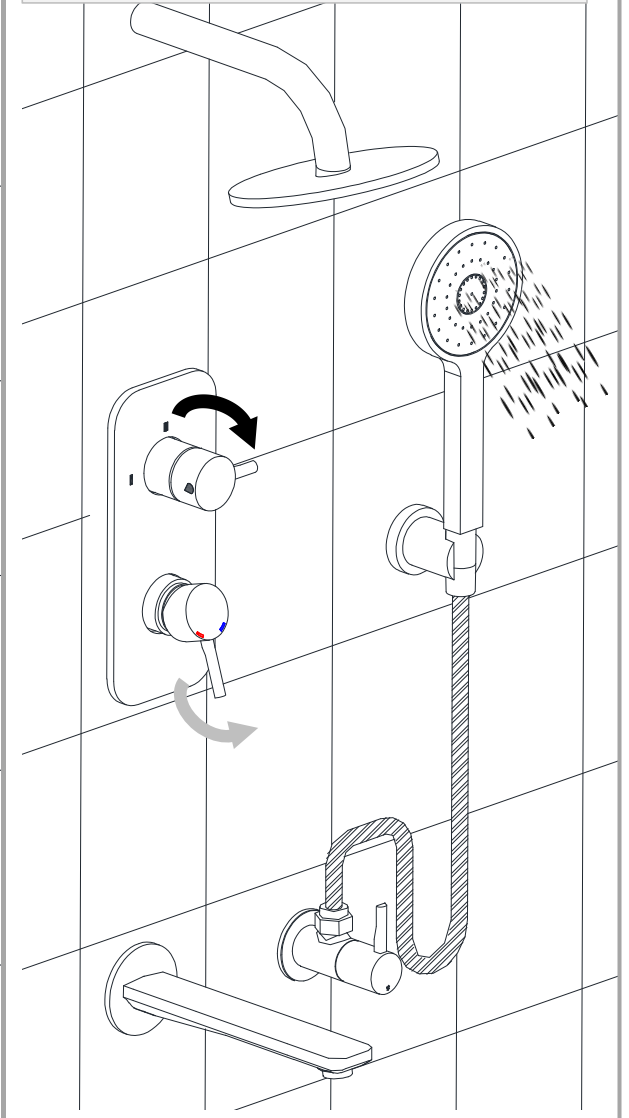
SPOUT OUTPUT

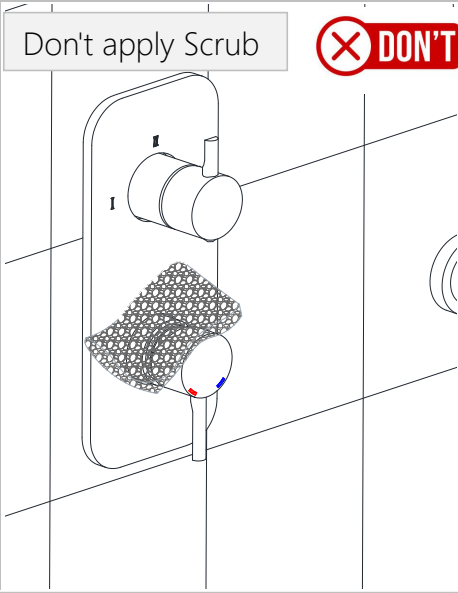
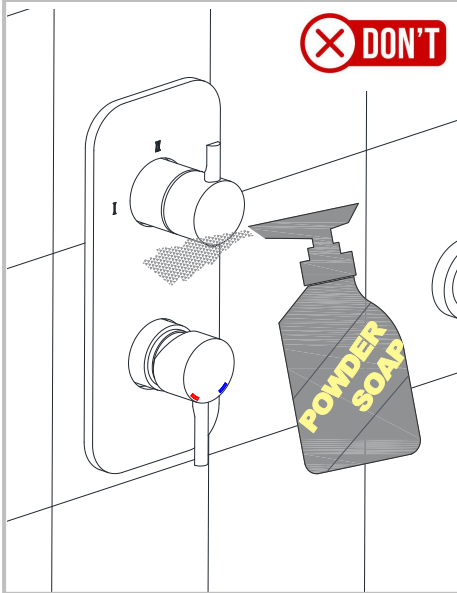
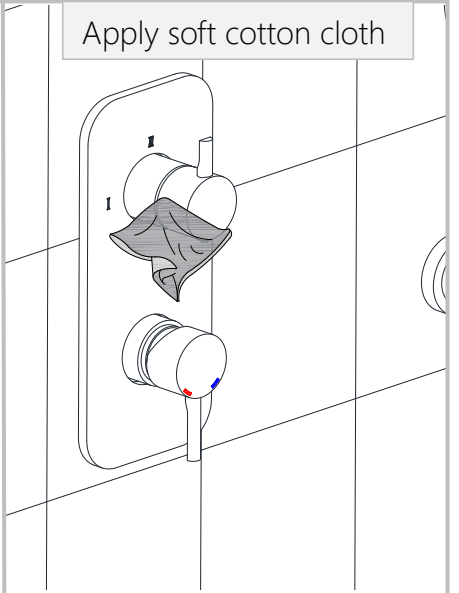
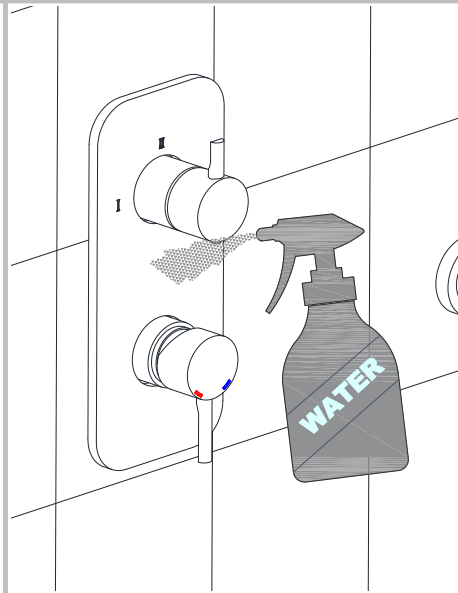
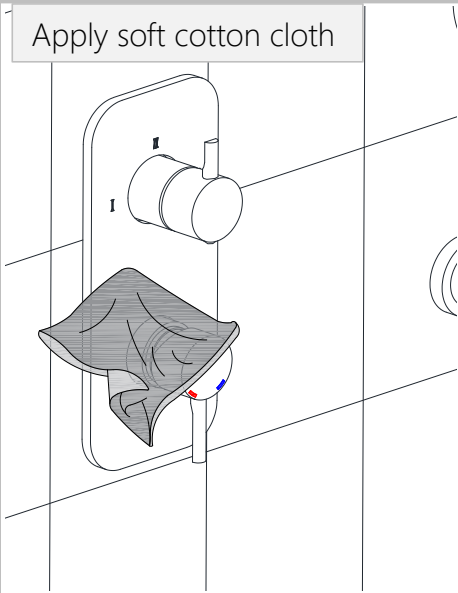
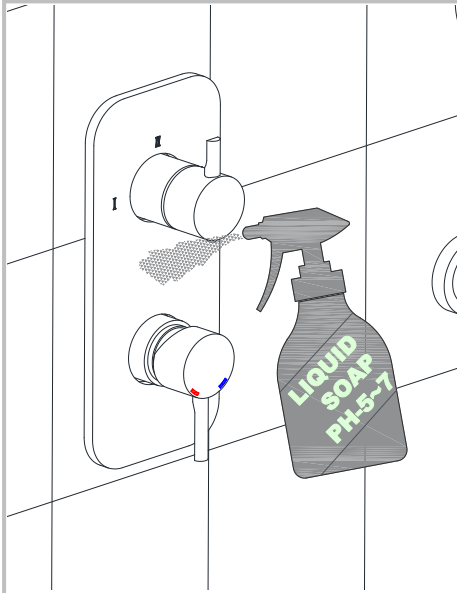


OVER HEAD SHOWER OUTPUT



HAND SHOWER OUTPUT





Steps & Cleaning agents requirements for Aerator Cleaning.

