



ARS-WHT-39801+ARS-WHT-39305

SPECIFICATION DATA SHEET

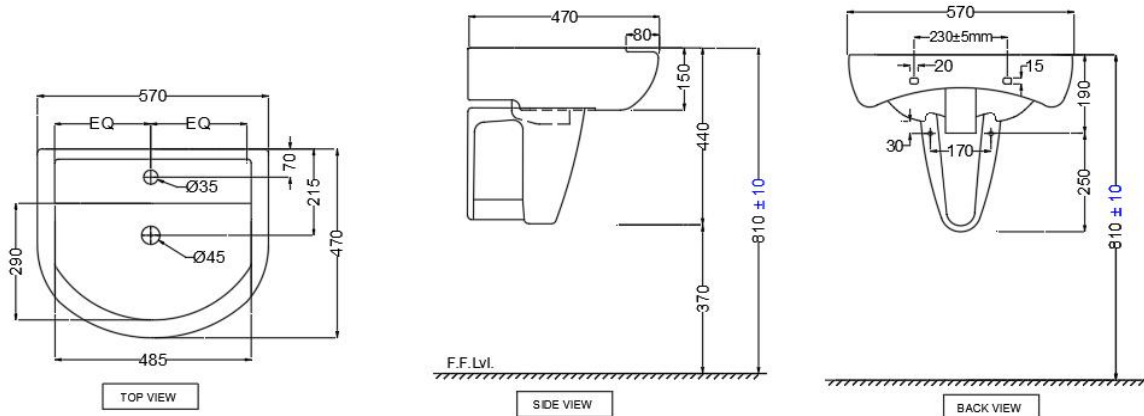
PRODUCT DETAILS

Manufacturer	Jaquar	Type	Wall Hung Basin with Half Pedestal
Outlet	Vertical	Colour	White
Technical Details	Tap hole dia. $\varnothing 35 \pm 2$ mm	Material	Ceramic - Vitreous China
	ID of waste outlet hole dia. $\varnothing 45 \pm 3$ mm Horizontal distance between the centre line of the tap hole and the centre line of the waste outlet hole ≤ 145 mm		

PRODUCT IMAGE



TECHNICAL DRAWING



Product Dimension	570X470X190 mm with Pedestal 440 mm	FEATURES With over flow hole and anti germ glaze
Basin Inner Dimension	485x290x135 mm	
Product Weight	22	

ACCESSORIES INCLUDED

Brass overflow hole Cap	ZPS-WHT-9012B
Rag bolt	ZPS-MST-RB03
Fixing Screw For Half Pedestal	ZPS-MST-FB05

CERTIFICATION

Compliance : EN 997 :2012+A1 2015 (E) ,MS 2578: 2014, AMD. 1: 2017, SANS 497:2011

All technical dimensions are in accordance to British standards, Bureau of Indian Standards



DISCLAIMER: Our every effort has been made to ensure factual accuracy, the information presented subject to changes due to requirements in different sites, markets and/ or countries. All dimensions are in mm (Tolerance ± 5 MM). Jaquar reserves the right to make the necessary amendments at any time without prior notice.