



# CNS-WHT-751S300SPZ

## SPECIFICATION DATA SHEET

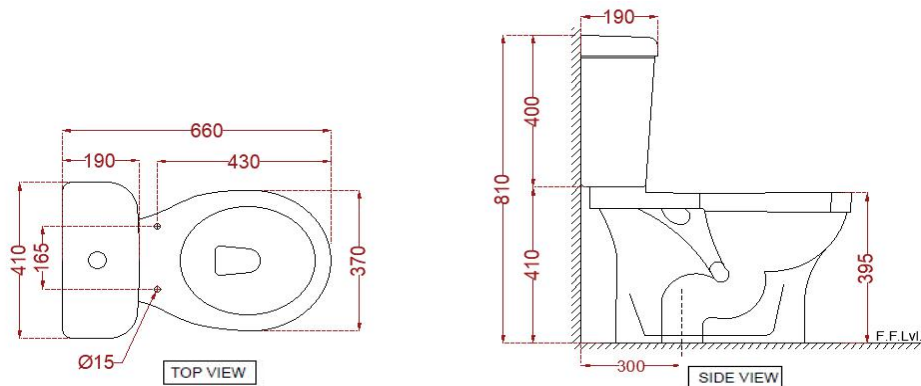
### PRODUCT DETAILS

<b>Manufacturer:</b>	Jaquar	<b>Type:</b>	Complete Set For Coupled WC ( S-Trap )
<b>Colour:</b>	White	<b>Outlet</b>	Vertical
<b>Technical Details:</b>	External diameter of outlet hole dia. $\varnothing 100 \pm 5$ mm	<b>Material:</b>	Ceramic - Vitreous China
	Horizontal distance between the Floor and the center line of the waste outlet hole $\leq 300$ mm		

### PRODUCT IMAGE



### TECHNICAL DRAWING



<b>Product Dimension</b>	410x660x810 mm	<b>FEATURES</b>  Convenience benefit to customer , Dual flush-3 & 6 LPF (Price + Combined packing), Box rim ,Dual Flush-3/6 LPF,Anti germ glaze,Trap glaze
<b>Trap Distance</b>	S Trap - 300 mm	
<b>Product Weight</b>	31.0 Kg	

### ACCESSORIES INCLUDED

PP Soft Close Seat cover	CNS-WHT-105S
Floor fixing screw	ZPS-SNS-FB01
Wax seal	ZPS-WHT-1401
Cistern	CNS-WHT-201C
Cistern Fittings	ZCF-WHT-FT003

### CERTIFICATION

Compliance : EN 997 :2012+A1 2015 (E), SANS 497:2011

All technical dimensions are in accordance to British standards, Bureau of Indian Standards



DISCLAIMER: Our every effort has been made to ensure factual accuracy, the information presented subject to changes due to requirements in different sites, markets and/or countries. All dimensions are in mm (Tolerance  $\pm 5$  MM). Jaquar reserves the right to make the necessary amendments at any time without prior notice.