



LYS-WHT-38751S250UFSMZ

**SPECIFICATION DATA SHEET**

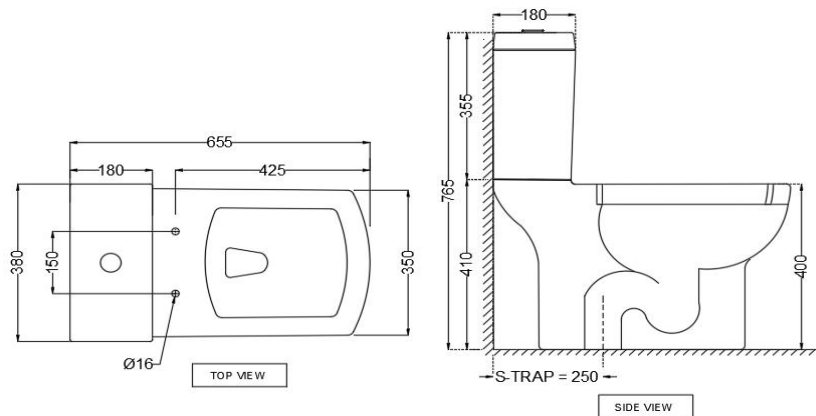
**PRODUCT DETAILS**

<b>Manufacturer</b>	Jaquar	<b>Type</b>	Complete Set For Coupled WC ( S-Trap )
<b>Outlet</b>	Vertical	<b>Flush valves</b>	Dual Flush
<b>Colour</b>	White	<b>Material</b>	Ceramic - Vitreous China
<b>Technical Details</b>	External diameter of outlet hole $\varnothing 100 \pm 5$ mm Horizontal distance between the wall line and the centre line of the waste outlet hole $\leq 250$ mm		

**PRODUCT IMAGE**



**TECHNICAL DRAWING**



<b>Product Dimension</b>	380x655x765 mm	<b>FEATURES</b>  Box rim with UF soft close slim seat cover, Dual Flush-3/6 Ltr, Elegant design, Dual Flush-3/6 LPF,Anti germ glaze.
<b>Trap Distance</b>	S Trap - 250 mm	
<b>Product Weight</b>	40.0 kg	

**ACCESSORIES INCLUDED**

UF soft close slim seat cover	LYS-WHT-38103UF
Floor fixing screw	ZPS-SNS-FB01
Wax seal	ZPS-WHT-1401
Cistern	LYS-WHT-38201C
Cistern Fittings	ZCF-WHT-FT004

**CERTIFICATION**

Compliance : EN 997 :2012+A1 2015 (E), SANS 497 : 2011



All technical dimensions are in accordance to British standards, Bureau of Indian Standards

DISCLAIMER: Our every effort has been made to ensure factual accuracy, the information presented subject to changes due to requirements in different sites, markets and/or countries. All dimensions are in mm (Tolerance  $\pm 5$  MM). Jaquar reserves the right to make the necessary amendments at any time without prior notice.