



OPS-WHT-15851S300UF

SPECIFICATION DATA SHEET

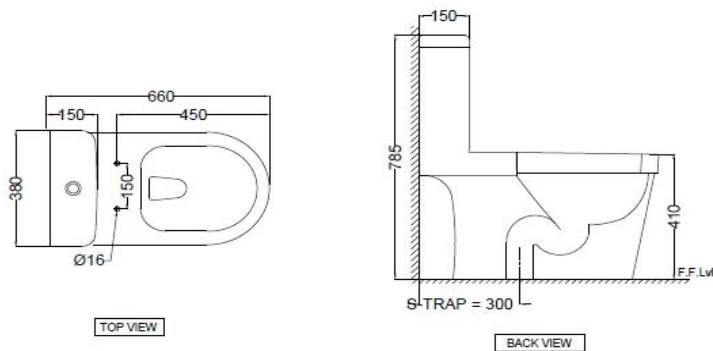
PRODUCT DETAILS

Manufacturer	Jaquar	Type	Single piece-WC (S trap)
Colour	White	Flush valves	Single Flush advantages
Outlet	Vertical	Material	Ceramic - Vitreous China
Technical Details:	External diameter of outlet hole $\varnothing 80$ mm Horizontal distance between the wall line and the centre line of the waste outlet hole ≤ 300 mm		

PRODUCT IMAGE



TECHNICAL DRAWING



Product Dimension	380x660x785 mm	FEATURES Box rim with UF seat cover , siphonic Flushing,SASO approved,Single Flush-3.0 LPF, Anti germ glaze.
Trap Distance	S Trap - 300 mm	
Product Weight	44.25 Kg	
ACCESSORIES INCLUDED		
UF soft Close seat cover		ONS-WHT-10105
Floor fixing screw		ZPS-SNS-FB01
Wax Seal		ZPS-WHT-1401

CERTIFICATION

Compliance : EN 997 :2012+A1 2015 (E),MS 1522: 2015, MS 795-:2019 & MS 147 : 2001, SANS 497 : 2011

All technical dimensions are in accordance to British standards, Bureau of Indian Standards



DISCLAIMER: Our every effort has been made to ensure factual accuracy, the information presented subject to changes due to requirements in different sites, markets and/ or countries. All dimensions are in mm (Tolerance ± 5 MM). Jaquar reserves the right to make the necessary amendments at any time without prior notice.