



Compliance : EN 14688 :2015 (E) A

QPS-WHT-7901PM

**SPECIFICATION DATA SHEET**

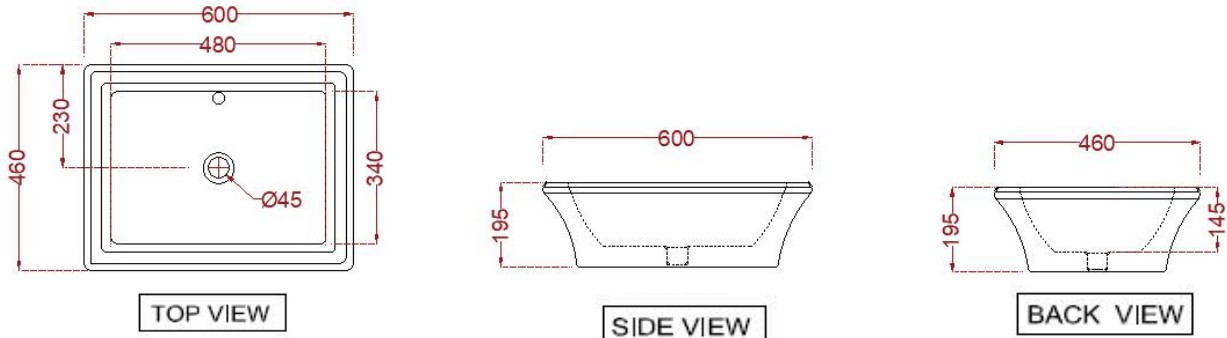
**PRODUCT DETAILS**

<b>Manufacturer :</b>	Jaquar	<b>Type:</b>	Table top basin
<b>Outlet</b>	Vertical	<b>Colour:</b>	White
<b>Technical Details:</b>	ID of waste outlet hole dia. $\varnothing 45 \pm 3$ mm	<b>Material:</b>	Ceramic - Vitreous China
	Horizontal distance between the Bowl edge and the center line of the waste outlet hole $\leq 230$ mm		

**PRODUCT IMAGE**



**TECHNICAL DRAWING**



<b>Product Dimension</b>	600x460x195 mm	<b>FEATURES</b>  Victorian Design, Coordinated collection, Overflow Hole, Anti Germ Glazed
<b>Basin Inner Dimension</b>	495X395X120 mm	
<b>Product Weight</b>	16.8 kg	

**CERTIFICATION**

Compliance: SANS 497: 2011, EN 14688 : 2015 (E) A

All technical dimensions are in accordance to British standards, Bureau of Indian Standards



DISCLAIMER: Our every effort has been made to ensure factual accuracy, the information presented subject to changes due to requirements in different sites, markets and/ or countries. All dimensions are in mm (Tolerance  $\pm 5$  MM). Jaquar reserves the right to make the necessary amendments at any time without prior notice.