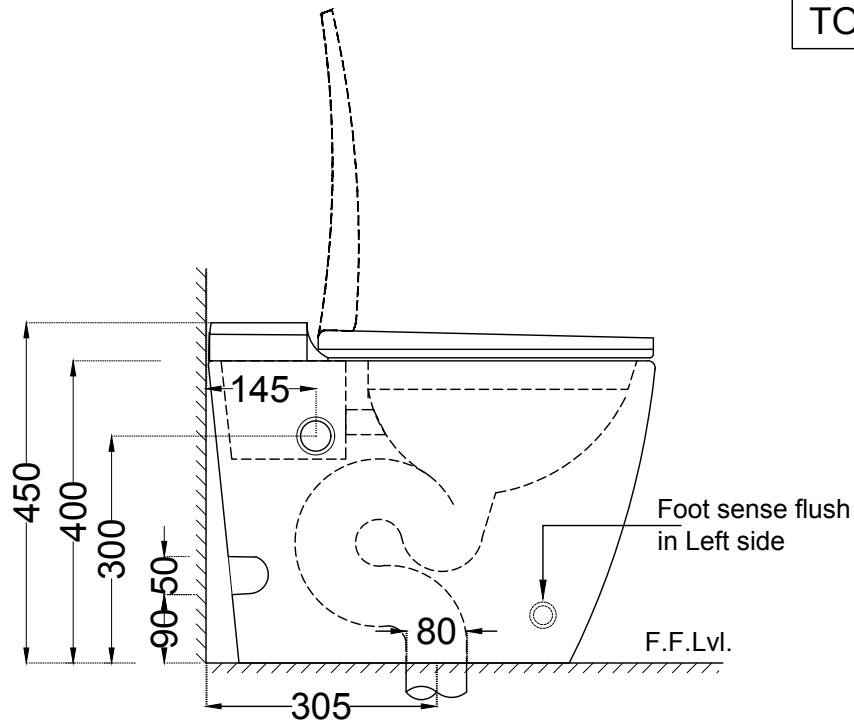
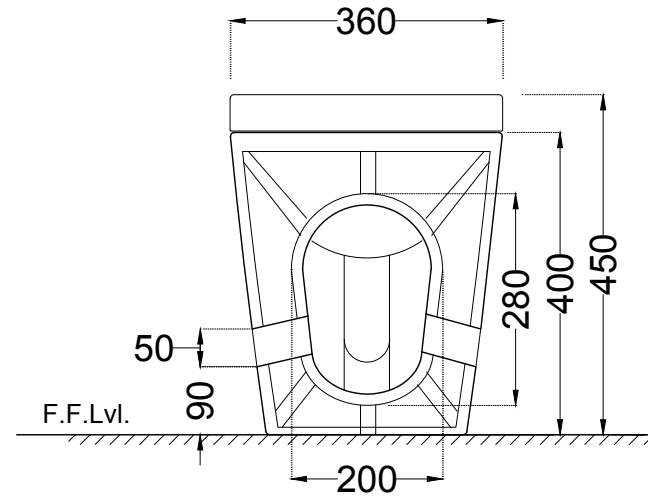


TOP VIEW



SIDE VIEW



BACK VIEW

	Jaquar Group	
	Global Headquarters Plot No. 3, Sector- M-11, IMT Manesar Gurgaon, NCR - 122050, India E-mail : Sales: support@jaquar.com Customer Service : service@jaquar.com	
	ITEM CODE	OPS-WHT-15851S300UFSMTL
	ITEM TYPE	SINGLE PIECE WC S TRAP-300 MM
ITEM SIZE	360x580x450 mm	
ALL DIMENSIONS ARE IN MM. (TOLERANCE ± 5 MM)		