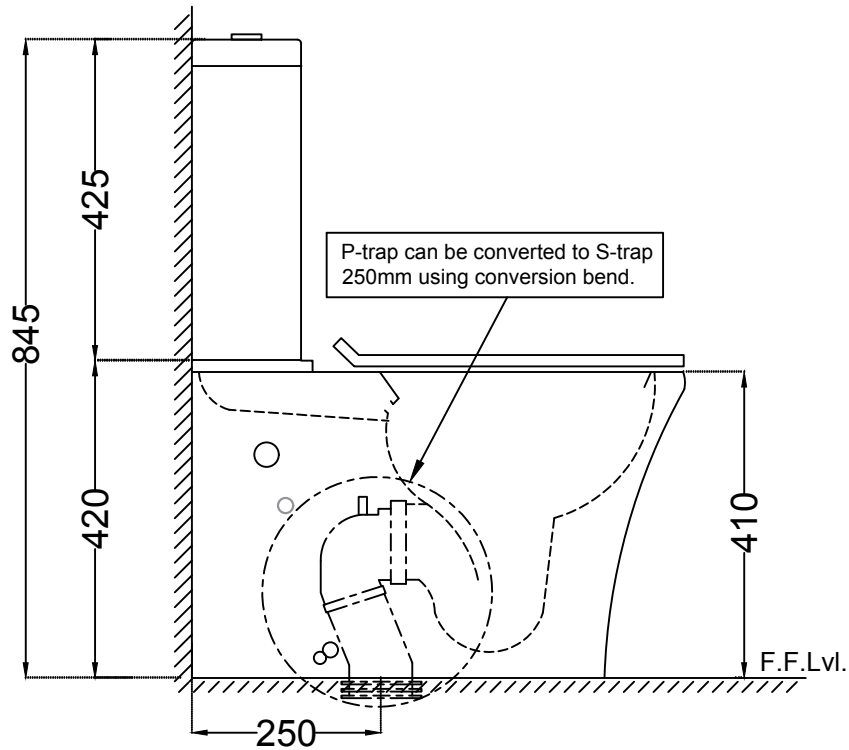
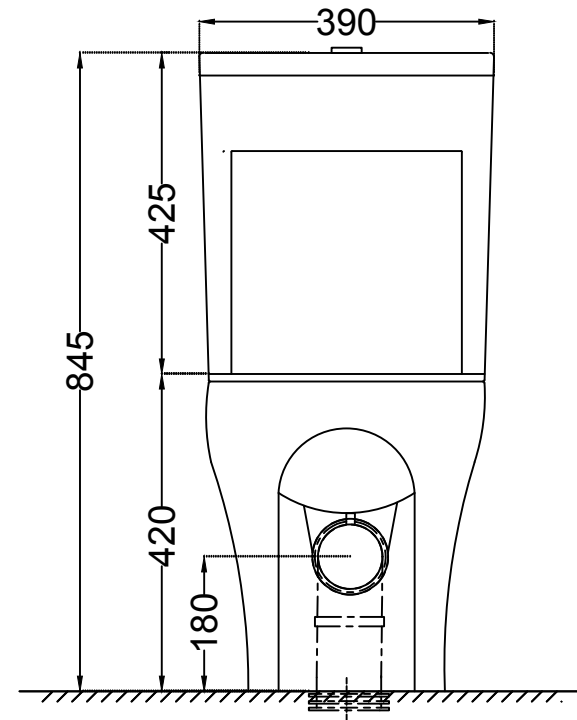


TOP VIEW



SIDE VIEW



BACK VIEW



Jaquar Group
 Global Headquarters
 Plot No. 3, Sector- M-11, IMT Manesar
 Gurgaon, NCR - 122050, India
 E-mail : Sales: support@jaquar.com
 Customer Service : service@jaquar.com

ITEM CODE	ONS-WHT-10753NS250UFSMZ
ITEM TYPE	COUPLED WC S-TRAP-250 MM With Conversion Bend
ITEM SIZE	390x645x845 mm
ALL DIMENSIONS ARE IN MM. (TOLERANCE ± 5 MM)	