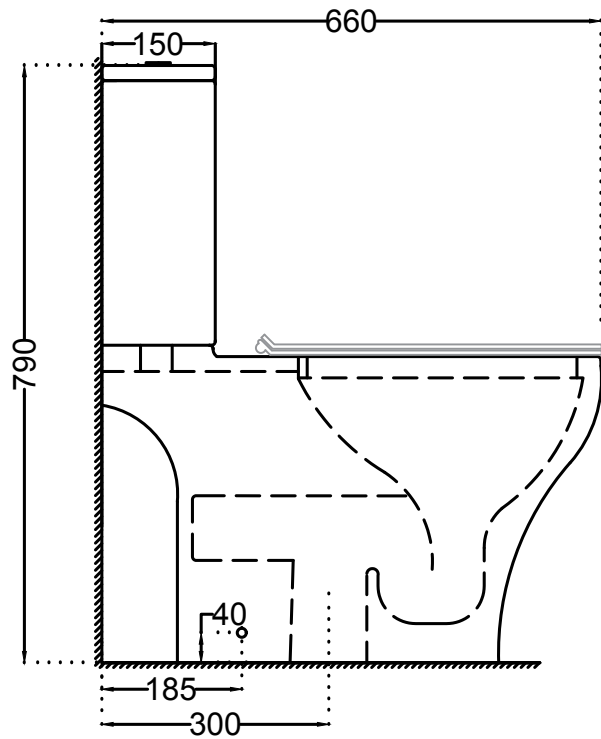
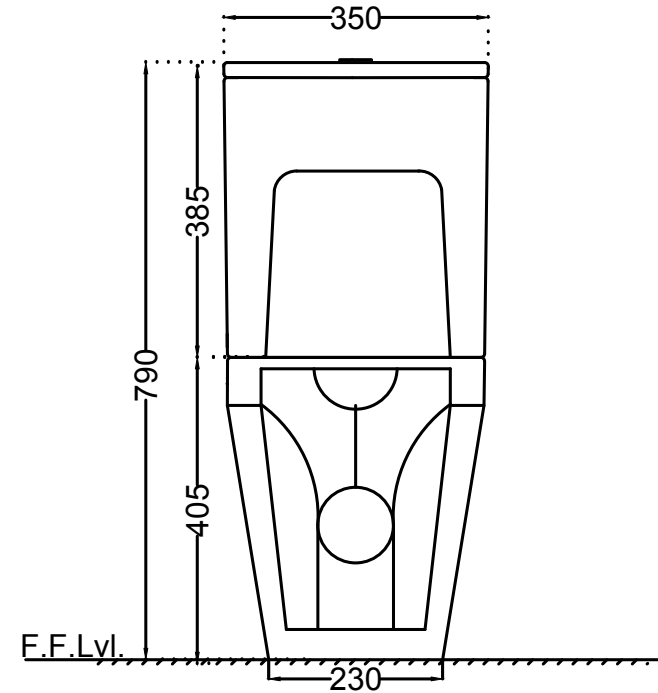


TOP VIEW



SIDE VIEW



BACK VIEW



**Jaquar Group**

Global Headquarters  
 Plot No. 3, Sector- M-11, IMT Manesar  
 Gurgaon, NCR - 122050, India  
 E-mail : Sales: [support@jaquar.com](mailto:support@jaquar.com)  
 Customer Service : [service@jaquar.com](mailto:service@jaquar.com)

ITEM CODE	CNS-WHT-759S300UFSMZ
ITEM TYPE	COUPLED WC S-TRAP-300 MM
ITEM SIZE	350x660x790 mm

ALL DIMENSIONS ARE IN MM. (TOLERANCE ± 5 MM)