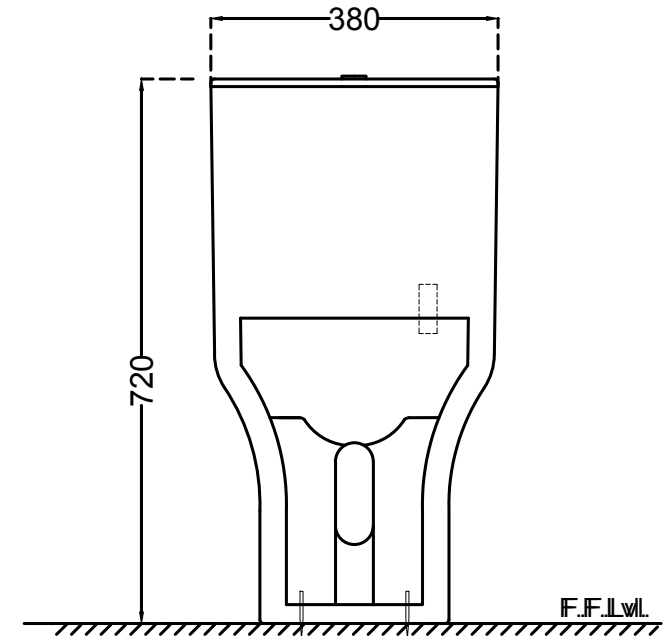
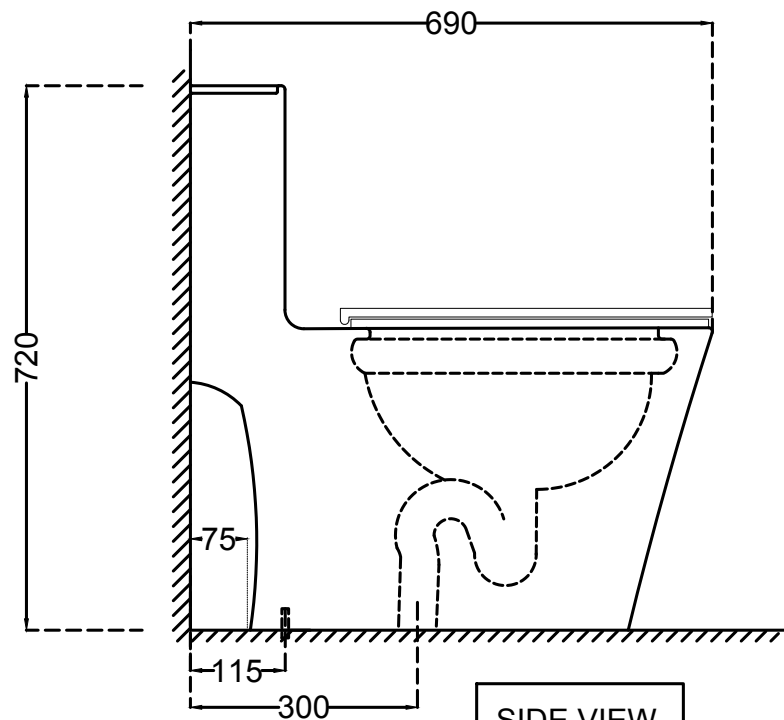



TOP VIEW



BACK VIEW



SIDE VIEW

	<b>Jaquar Group</b> Global Headquarters Plot No. 3, Sector- M-11, IMT Manesar Gurgaon, NCR - 122050, India E-mail : Sales: <a href="mailto:support@jaquar.com">support@jaquar.com</a> Customer Service : <a href="mailto:service@jaquar.com">service@jaquar.com</a>	
	ITEM CODE	CNS-WHT-861S300UF
	ITEM TYPE	SINGLE PIECE-WC (S TRAP 300 MM)
	ITEM SIZE	380x690x720 mm
ALL DIMENSIONS ARE IN MM. (TOLERANCE ± 5 MM)		