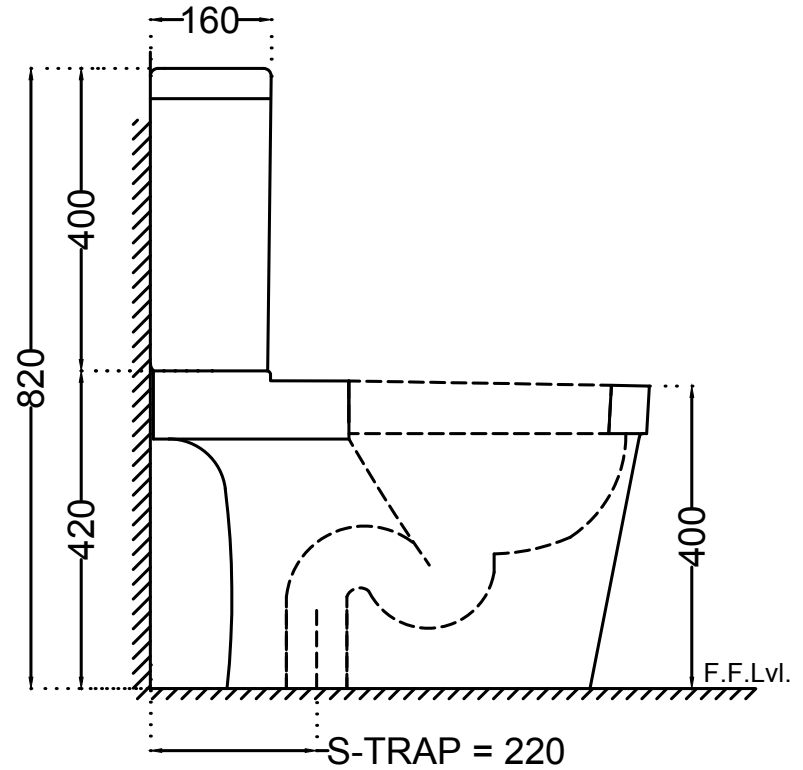


TOP VIEW



SIDE VIEW

	Jaquar Group Global Headquarters Plot No. 3, Sector- M-11, IMT Manesar Gurgaon, NCR - 122050, India E-mail : Sales: support@jaquar.com Customer Service : service@jaquar.com		ITEM CODE	OPS-WHT-15751S220UFSMZ
			ITEM TYPE	Coupled WC (S trap 220 mm)
			ITEM SIZE	400x660x820 mm
	ALL DIMENSIONS ARE IN MM. (TOLERANCE ± 5 MM)			